



*Fire Your Imagination*

# Eclipse 100

## Balanced Flue



**IMPORTANT:**  
FOR EASY TO FOLLOW,  
STEP BY STEP VIDEO INSTRUCTIONS  
ON HOW TO OPERATE AND  
MAINTAIN YOUR GAZCO REMOTE  
SYSTEM GO TO  
[WWW.GAZCO.TV](http://WWW.GAZCO.TV)

## Instructions for Use, Installation & Servicing

For use in GB & IE (Great Britain & Republic of Ireland).

### IMPORTANT

**THE OUTER CASING, FRONT AND GLASS PANEL BECOME EXTREMELY HOT DURING OPERATION AND WILL RESULT IN SERIOUS INJURY AND BURNS IF TOUCHED. IT IS THEREFORE RECOMMENDED THAT A FIREGUARD COMPLYING WITH BS 8423 (LATEST EDITION) IS USED IN THE PRESENCE OF YOUNG CHILDREN, THE ELDERLY OR INFIRM.**

For use with 230V 50Hz electricity supply only.

This product contains a heat resistant glass panel. This panel should be checked during Installation and at each servicing interval. If any damage is observed on the front face of the glass panel (scratches, scores, cracks or other surface defects), the glass panel must be replaced and the appliance must not be used until a replacement is installed.

Under no circumstances should the appliance be used if any damage is observed, the glass panel is removed or broken.

It is essential that ALL of the screws that retain the glass frame are replaced and tightened correctly.  
Under no circumstances should the appliance be operated if any of these screws are loose or missing.

These Instructions must be left with the appliance for future reference and for consultation when servicing the appliance.  
Please make the customer aware of the correct operation of the appliance before leaving these instructions with them.

The commissioning sheet found on Page 3 of this Instruction manual must be completed by the Installer prior to leaving the premises.

**THIS APPLIANCE MUST BE EARTHED**

# Contents

## Eclipse 100 Balanced Flue

Covering the following models:

| Eclipse 100 |                   |                     |
|-------------|-------------------|---------------------|
|             | Ledgestone Panels | Black Reeded Panels |
| Nat Gas     | 128-041           | 128-030             |
| LPG         | 128-429           | 128-516             |

|  |           |
|--|-----------|
| <b>Appliance Commissioning Checklist .....</b> | <b>3</b>  |
| <b>User Instructions .....</b>                 | <b>4</b>  |
| <b>Installation Instructions .....</b>         | <b>13</b> |
| Technical Specifications .....                 | 13        |
| Site Requirements .....                        | 16        |
| Installation .....                             | 21        |
| Commissioning .....                            | 42        |
| <b>Servicing Instructions.....</b>             | <b>43</b> |
| Fault Finding.....                             | 43        |
| How to Replace Parts .....                     | 45        |
| Basic Spare Parts List.....                    | 55        |
| Service Records .....                          | 57        |
| Information Requirement - Gas Heaters.....     | 58        |



If you have purchased your stove or fire from an authorised stockist within our Expert Retailer Network, then automatically your product will carry a 2 year warranty as standard. The 2 year warranty can be further extended to a total warranty period of 5 years by registering your Gazco Stove or Fireplace within one month of the latter of the purchase date or installation date. Accordingly, the start date for the warranty period is the date of purchase. During the registration process, the Expert Retailer details will be required for your Extended Warranty to be activated. Any product purchased outside of our Expert Retailer Network will carry a standard 12 month, non-extendable warranty.

It is a condition of the Extended Warranty that the installation complies with the relevant Building Regulations and is carried out by a suitably trained and qualified individual (GasSafe in the UK or equivalent in other countries) with the certificate of installation and the Commissioning Report on Page 3 completed and retained by the end user.

Full terms and conditions are detailed in the Warranty Statement on the Gazco website [www.gazco.com](http://www.gazco.com). In the event of any conflict of information the wording on the website shall prevail.

**Important Note:** Should any problems be experienced with your product, claims must first be submitted to the Expert Retailer where the appliance was purchased from who will offer immediate assistance or contact Gazco on your behalf.



Registration No WEE/DH1656ZW  
In accordance with European Directive 2012/19/EU, waste electrical and electronic equipment (WEEE) must not be disposed of with household waste.

At the end of its useful life please take this product to an appropriate recycling centre or collection point. You can find your nearest recycling centre by using the bank locator at [www.recycle-more.co.uk](http://www.recycle-more.co.uk) for UK customers, [www.weeeireland.ie](http://www.weeeireland.ie) for customers in the Republic of Ireland, or by contacting your local authority.



**It is a requirement of the Building Regulations 2010 that the installation of this appliance is notified to the Local Authority. It is the responsibility of the GasSafe registered installer to carry out this notification to the Local Authority via the GasSafe register Competent Persons Scheme in England and Wales (different rules apply in Scotland and Northern Ireland).**

**When the installation has been notified, GasSafe will send a Building Regulations Compliance Certificate to you containing details of the work completed. Please ensure that the person responsible for the installation of this appliance completes this notification and records it in the Appliance Commissioning Checklist on page 3.**

**IT IS YOUR RESPONSIBILITY TO COMPLY WITH THE BUILDING REGULATIONS AND BE ABLE TO PRODUCE THIS CERTIFICATE SHOULD IT BE REQUIRED IN THE FUTURE.**

# Appliance Commissioning Checklist

To assist us in any guarantee claim please complete the following information:-

## IMPORTANT NOTICE

**Explain the operation of the appliance to the end user, hand the completed instructions to them for safe keeping, as the information will be required when making any guaranteed claims.**

| FLUE CHECK   | PASS              | FAIL |
|--|-------------------|------|
| 1. Flue Is correct for appliance   |                   |      |
| 2. Flue flow Test N/A  |                   |      |
| 3. Spillage Test N/A   |                   |      |
| GAS CHECK  | PASS              | FAIL |
| 1. Gas soundness & let by test   |                   |      |
| 2. Standing gas pressure   | mb                |      |
| 3. Appliance working pressure (on High Setting)<br>Minimum Pressure Requirement: NG - 17.5mbar LPG - 34.5mbar<br>NB All other gas appliances must be operating on full | mb                |      |
| 4. Gas rate  | m <sup>3</sup> /h |      |
| 5. Does Ventilation meet appliance requirements N/A  |                   |      |
| SAFETY CHECK   |                   |      |
| 1. Check soundness of the Thermocouple connections - including tightness and lead integrity  |                   |      |
| 2. Glass checked to ensure no damage, scratches, scores or cracks  |                   |      |
| 3. Glass frame secured correctly and all screws replaced   |                   |      |
| BUILDING CONTROL NOTIFICATION  | YES               | NO   |
| 1. Installer notified GasSafe/Local Authority of installation via Competent Persons Scheme?  |                   |      |

## RETAILER AND INSTALLER INFORMATION

|  |   |
|--|---|
| <b>Retailer</b> .....<br>.....<br>.....<br><br><b>Contact No.</b> .....<br><br><b>Date of Purchase</b> .....<br><br><b>Model No.</b> .....<br><br><b>Serial No.</b> .....<br><br><b>Gas Type</b> ..... | <b>Installation Company</b> .....<br>.....<br>.....<br><br><b>Engineer</b> .....<br><br><b>Contact No.</b> .....<br><br><b>GasSafe Reg No.</b> .....<br><br><b>Date of Installation</b> ..... |
|--|---|

# User Instructions

## Welcome

*Congratulations on purchasing your Eclipse fire, if installed correctly Gazco hope it will give you many years of warmth and pleasure for which it was designed.*

*The purpose of this manual is to familiarise you with your appliance and give guidelines for its installation, operation and maintenance. If, after reading, you need further information, please do not hesitate to contact your Gazco retailer.*

## WARNING



**In the event of a gas escape or if you can smell gas, please take the following steps:**

- **Immediately turn off the gas supply at the meter/emergency control valve**
- **Extinguish all sources of ignition**
- **Do not smoke**
- **Do not operate any electrical light or power switches (On or Off)**
- **Ventilate the building(s) by opening doors and windows**
- **Ensure access to the premises can be made**

**Please report the incident immediately to the National Gas Emergency Service Call Centre on 0800 111 999 (England, Scotland and Wales) , 0800 002 001 (N. Ireland) or in the case of LPG, the gas supplier whose details can be found on the bulk storage vessel or cylinder.**

**The gas supply must not be used until remedial action has been taken to correct the defect and the installation has been recommissioned by a competent person.**

## 1. General

- 1.1 Installation and servicing must only be carried out by a competent person whose name appears on the GasSafe register. To ensure the engineer is registered with GasSafe they should possess an ID Card carrying the following logo:



- 1.2 In all correspondence, please quote the appliance type and serial number, which can be found on the data badge located on a plate attached to the lower slotted trim.
- 1.3 **Do not** place curtains above the appliance: You must have 300mm (1') clearance between the appliance and any curtains at either side.

- 1.4 No furnishings or other objects should be placed within 1 metre of the front of the appliance.
- 1.5 If a shelf is fitted, a distance of 300mm above the appliance is required.
- 1.6 If any cracks appear in the glass panel do not use the appliance until the panel has been replaced.
- 1.7 Do not obstruct the flue terminal in any way, i.e. by planting flowers, trees, shrubs etc. in the near vicinity, or by leaning objects against the terminal guard.
- 1.8 Do not put any objects on the terminal guard; it will lose its shape.
- 1.9 If you use a garden sprinkler, do not let quantities of water into the flue terminal.
- 1.10 When the appliance has been installed the position of the plug must be accessible.
- 1.11 Where the electricity supply cable has to pass through a fire place, stone surround etc. ensure suitable rubber bushes are fitted at possible wear points.
- 1.12 If the electricity supply cable is damaged do not use the appliance until it has been replaced. For safety reasons the replacement has to be carried out by Gazco, a Gazco service agent or a similarly competent electrician.
- 1.13 Repairs of electrical appliances must only be performed by an electrical engineer. Should the appliance fail to operate, or in case of any damage, please contact the retailer from whom the appliance was purchased.
- 1.14 This product is guaranteed for 5 years from the date of installation, as set out in the terms and conditions of sale between Gazco and your local Gazco retailer. Please consult with your local Gazco retailer if you have any questions. In all correspondence always quote the Model Number and Serial Number.
- 1.15 **This appliance is not intended to be used by persons under the age of 12, persons with reduced physical, sensory or mental capabilities or persons with lack of experience and knowledge in the safe operation of the appliance.**  
The appliance may be operated by persons above the age of 12 provided they have been instructed in the safe use of the appliance and that they understand the hazards involved. Persons above the age of 12 may also operate the appliance under the supervision of a responsible adult. Cleaning and Maintenance of the appliance must be undertaken by a suitably qualified adult.  
**CHILDREN MUST BE SUPERVISED TO ENSURE THEY DO NOT PLAY WITH THE APPLIANCE.**
- 1.16 Parts of this appliance become hot whilst in operation and under no circumstances should persons under the age of 12 be left alone with the product when it is in operation unless a suitable fireguard is used to protect them against the possibility of coming into direct contact with the appliance.

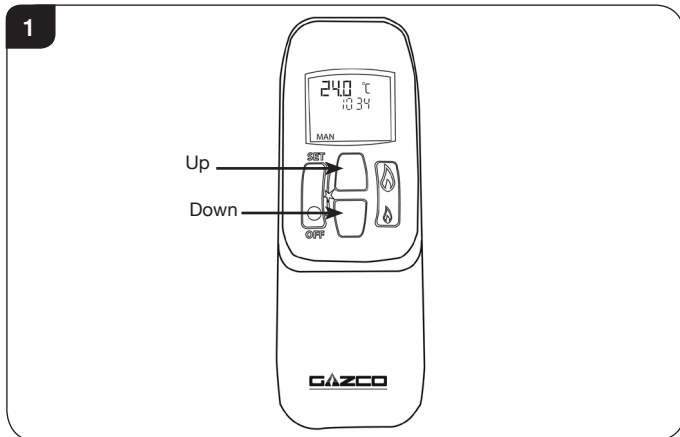


**IMPORTANT: NEVER position a television or screen above this appliance.**

# User Instructions

## 2. Operating the Appliance

The appliance is operated by thermostatic remote control.



### 2.1 Turning the appliance On

The remote can control the gas appliance from pilot ignition through to shut down.

To turn the appliance on press the OFF button and the UP button simultaneously. Several short signals can be heard. **The pilot and main burner ignite and the remote is now in Manual Mode.**

**IMPORTANT: YELLOW FLAMES TYPICALLY APPEAR WHEN THE APPLIANCE HAS REACHED NORMAL OPERATING TEMPERATURE. THIS CAN TAKE UP TO 30 MINUTES.**

**WARNING: IF THE APPLIANCE FAILS TO LIGHT OR BECOMES EXTINGUISHED IN USE, WAIT 3 MINUTES BEFORE ATTEMPTING TO RELIGHT.**

2.2 There are 3 different modes available for controlling and operating the appliance:

1. Manual Mode
2. Temp Mode (Automatic)
3. Timer Mode (Automatic)

2.3 In **MANUAL MODE** you can:

- turn on the burners using the UP button
- regulate the flame from high to low and back
- operate the in-built fan system
- switch between dual and single burners
- turn off both burners leaving just the pilot burning

In **TEMP MODE (Automatic)** you can:

- set the room temperature so the thermostat in the remote automatically maintains that temperature

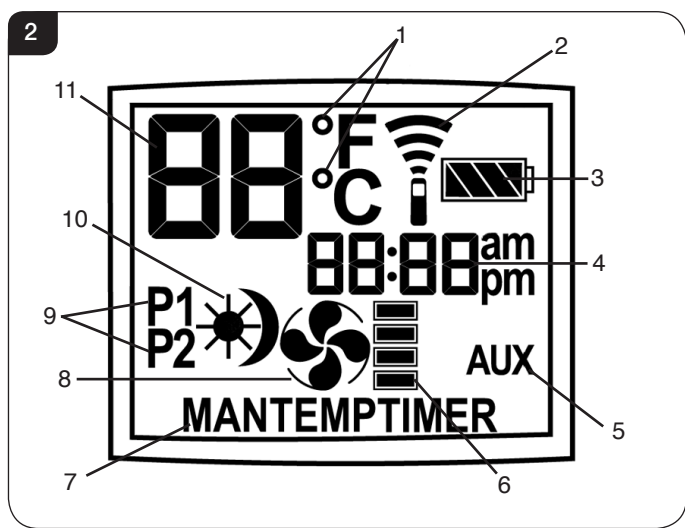
In **TIMER MODE (Automatic)** the appliance:

- turns on and off according to the set time periods
- automatically regulates the room temperature during the set periods

**i** **NOTE:** When operating the appliance in Temp or Timer mode, the pilot remains lit and the appliance then automatically switches on at programmed times to bring the room to the set temperature whether or not you are in the room. **NEVER LEAVE ANY COMBUSTIBLE MATERIALS WITHIN 1 METRE OF THE FRONT OF THE APPLIANCE.**

## Advanced Controls

- 2.4 The LCD screen displays the following information, see Diagram 2.
- 1) °C/24 hour or °F/12 Hour Clock
  - 2) Signal strength (between handset and appliance)
  - 3) Battery Status
  - 4) Time Setting
  - 5) Dual/Single Burner Select
  - 6) Fan Level icon
  - 7) Selected mode - Manual Flame / Fixed Temp (Auto) / Program - when appliance is switched on
  - 8) Fan Operation
  - 9) Program Timer Setting
  - 10) ON/OFF Temperatures setting
  - 11) Temperature Setting



# User Instructions

## Switching Between Modes

- 2.5 Press the SET button to change to Temperature Mode. Press again to change to Timer Mode. Keep pressing to run through all operating modes.

These are:

- MAN
- DAY TEMP
- FAN OPERATION
- NIGHT TEMP
- TIMER

and back to MAN

**NOTE: MAN mode can also be reached by pressing either the UP or DOWN button.**

## Setting the Time

- 2.6 The Time display will flash after either:
- a) Installing the battery.
  - b) Simultaneously pressing the UP and DOWN buttons.
- Press the UP button to set the hour
  - Press the DOWN button to set the minute
  - Press OFF or wait for the remote to return to MAN mode

## Setting the °C/24 Hour or °F/12 Hour clock

- 2.7 Press OFF and the down arrow until the display changes from °C/24 hour clock to °F/12 hour clock and vice versa.

## Manual Mode

- 2.8 Press the OFF button and the UP button simultaneously. Several clicks and audible beeps will sound as the appliance begins the ignition process, (up to 30 seconds). The burner will light in the High position.

### Turning the appliance Off:

Press the OFF button to turn the appliance off.

**FOR SAFETY, WAIT 30 SECONDS BEFORE LIGHTING THE APPLIANCE AGAIN.**

### Increasing the Flame Height:

Press the UP button once to increase flame height one stage. Press and hold the UP button to increase to maximum.

### Decreasing the Flame Height:

Press the DOWN button once to decrease flame height one stage. Press and hold the DOWN button to decrease to minimum. At the lowest point the appliance goes to 'Standby Mode' (Only Pilot lit).

### Designated Low Fire and High Fire:

Press the DOWN button twice to put the appliance into the designated low position. 'LO' will be displayed on the handset.

**NOTE: The flame will go to the designated high position before going to the low setting.**

Press the UP button twice to put the appliance into the designated High position. 'HI' will be displayed on the handset.



**NOTE: While pressing a button a symbol indicating transmission appears on the display. The receiver confirms transmission with a sound signal.**

## Temp Mode (Automatic)

- 2.9 The display shows the current **room** temperature.

To increase or decrease the appliance output:

Press the SET button to select either the DAY TEMP or the NIGHT TEMP mode by briefly pressing the SET button.

Hold the SET button until the TEMP display flashes and then let go.

Set the desired temperature with the UP and DOWN arrows. (Minimum temperature 5C, maximum 40C or 40F to 99F when Fahrenheit is the preferred option).

Press the OFF button to stop the display flashing or wait to return to TEMP mode.



**NOTE: If a temperature is set that is beneath the current room temperature, the appliance automatically switches to PILOT (Stand by).**

**To turn the Night temperature control off then decrease the temperature until [--] is displayed.**

## Timer Mode (Automatic)

- 2.10 There are two programmable settings that can be set over a 24 hour period, P1 and P2. These are normally used to provide an early morning and evening setting for each working week:

- P1 + ● = Start Timed Setting 1
- P1 + ☞ = End of Timed Setting 1
- P2 + ● = Start Timed Setting 2
- P2 + ☞ = End of Timed Setting 2

- 2.11 **P1 - Program 1 for a Timed Setting**

Press the SET button until the TIMER mode is displayed.

Hold the SET button. The displays flashes the current time for P1. **While the time displayed is flashing you can alter the hours and minutes set.**

To set the time the appliance first lights, change P1 ●

- Press the UP button to alter the hour
- Press the DOWN button to alter the minutes in 10 minute increments

Press SET again to move to the end setting for P1 ☞ This is the time the appliance first shuts down:

- Press the UP button to alter the hour
- Press the DOWN button to alter the minutes

# User Instructions

## 2.12 P2 - Program 2 for a Timed Setting

Use the same steps outlined in 2a.11 to change the setting for P2.

If P1 is already set and only P2 needs to change:

- Press the SET button until TIMER mode is displayed
- Hold the SET button **until the display flashes the current time** for P1
- Press the SET button once again to scroll past the settings for P1 and P1

With the time still flashing:

- Press the UP button to alter the hour
- Press the DOWN button to alter the minutes

Once all four times are set press the OFF button.

## 2.13 To view existing settings:

- Select Timer Mode
- Press and briefly hold the SET button the start time for P1 will be displayed
- Repeat the above step for the start and end of each program

## Low Battery

- 2.14 The handset has a low battery indicator on the display when its batteries need replacement. Battery replacement is recommended after 1 year.

## Single & Dual Burners

- 2.15 Upon ignition, the appliance will light in the position it was last set to; for example, if it was last set to centre burner only, it will relight in this position. With the handset it is also possible to turn off the side burners and use the appliance with just the centre burner operating.

- Press SET and the DOWN button simultaneously to switch the side burners OFF
- Press SET and the UP button simultaneously to switch the side burners ON

This operation is blocked when in Timer OFF mode and the night time set back temperature is set to "--".

It is not possible to independently control the flame height between the centre and side burners. It is however possible to control the flame height of the centre burner when the side burner is turned off allowing a reduced minimum input position.

## Fan Operation

- 2.16 The circulating fan has 4 speed levels from Low (1 bar displayed) to High (4 bars displayed).

- Press SET to scroll to Fan mode  
The fan icon will flash
- Press the UP button to switch ON and increase the fan speed
- Press the DOWN button to decrease the fan speed and turn OFF once all four bars have disappeared

NOTE: 8 seconds after the fan has been set the handset will automatically go into Manual mode.

The fan starts on maximum speed 4 minutes after the pilot ignites and goes to the displayed level after 10 seconds. The fan stops 10 minutes after the appliance is put into the OFF or STAND BY positions.

## Troubleshooting



**IMPORTANT:** In the unlikely event that the handset fails to communicate correctly with the appliance it may be necessary to turn off the gas supply at the isolation valve until any problems can be resolved.

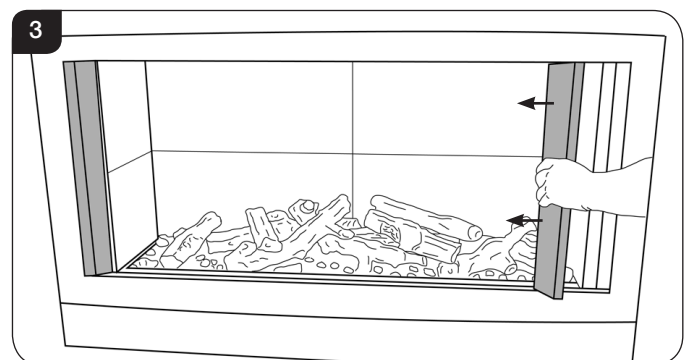
The gas meter and isolation valve can be located outside in a meter box, under the stairs, beneath the kitchen sink or in the garage. Whilst this list is not exhaustive, it is important to be able to identify the location of the valve in case of any gas emergency.

To turn off the gas supply, simply turn the handle so the lever is at 90 degrees to the upright gas pipe.

If you smell gas, open doors and windows and never operate any electrical switches. Immediately call the Gas Emergency Services on 0800 111 999.

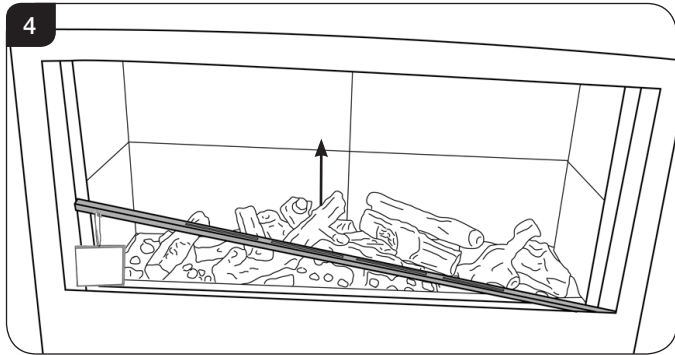
## 3. Cleaning the Appliance

- 3.1 Make sure the appliance and surrounds are cool before cleaning.
- 3.2 If a decorative front has been fitted to the appliance, please remove by referring to the separate instructions supplied.
- 3.3 Remove the glass frame by removing the 2 side trims, see Diagram 3. These are held on by magnets.

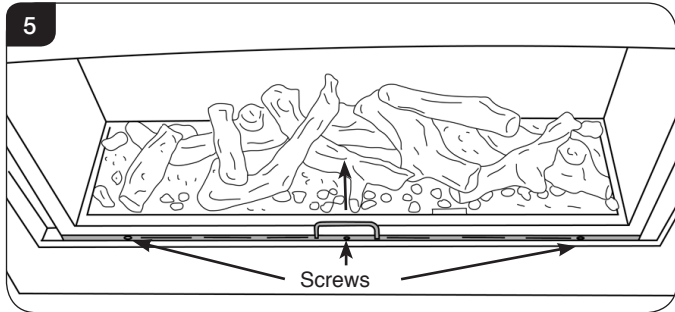


# User Instructions

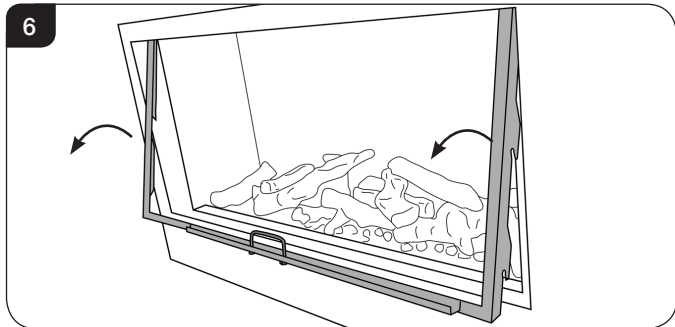
- 3.4 Lift out the bottom slotted trim, see Diagram 4. Note the orientation of the metal shield for reassembly.



- 3.5 Remove the 3 screws at the base of the door, the centre screw is located under the handle, see Diagram 5.



- 3.6 Pull up the handle at the front, see Diagram 5.  
3.7 Whilst supporting the top, lift the door using the handle, up and over the lower edge, see Diagram 6.



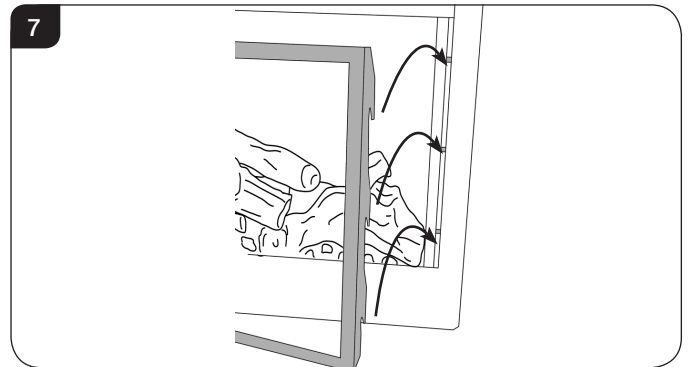
- 3.8 Remove the logs, and place them on a dry, clean surface.  
3.9 The logs should not require cleaning. In the unlikely event soot is deposited on the logs, use a soft brush to remove.  
3.10 Clean the burner using a vacuum cleaner with a soft brush attachment. Ensure all debris is removed from the burner ports.  
3.11 Use a damp cloth to clean the outer casing of the appliance.  
3.12 To clean the glass surface use a non abrasive glass cleaner and soft cloth.

- 3.13 The glass frame must be refitted to the appliance following cleaning or servicing.

**Ensure that the fibreglass seal on the back of the glass frame is intact.**

**NOTE: ENSURE THAT THE LOGS ARE POSITIONED CORRECTLY, SEE SECTION 5. ONLY USE THE CORRECT AMOUNT OF LOGS AS SPECIFIED IN THE DIAGRAMS.**

- 3.14 To replace the glass frame, position so the hooks on the back of the frame fit over the side pins, see Diagram 7.



- 3.15 Push the handle down.  
3.16 Replace the screws. As the screws are tightened the glass frame is pulled down against the hooks and forms a seal. **Replace ALL of the securing screws ensuring that a screw is present in all fixing slots.**

**! UNDER NO CIRCUMSTANCES SHOULD THE APPLIANCE BE USED IF ANY OF THE GLASS FRAME RETAINING SCREWS ARE LOOSE OR MISSING.**

- 3.17 Replace the slotted trim onto the brackets to cover the gap at the bottom of the window. The louvres point forwards.  
3.18 Replace the 2 magnetic side trims.  
**NEVER OPERATE THE APPLIANCE WHEN THE GLASS PANEL IS REMOVED OR BROKEN.**  
3.19 Replace the decorative front by referring to the separate instructions supplied with the front.



# User Instructions

## 4. Arrangement of the fuel bed

### Advice on handling and disposal of fire ceramics



The side liners and fuel effects in this appliance are made from Refractory Ceramic Fibre (RCF), a material which is commonly used for this application.

Protective clothing is not required when handling these articles, but we recommend you follow normal hygiene rules of not smoking, eating or drinking in the work area and always wash your hands before eating or drinking.

To ensure that the release of RCF fibres are kept to a minimum, during installation and servicing a HEPA filtered vacuum is recommended to remove any dust accumulated in and around the appliance before and after working on it. When servicing the appliance it is recommended that the replaced items are not broken up, but are sealed within heavy duty polythene bags and labelled as RCF waste.

RCF waste is classed as stable, non-reactive hazardous waste and may be disposed of at a licensed landfill site.

Excessive exposure to these materials may cause temporary irritation to eyes, skin and respiratory tract; wash hands thoroughly after handling the material.

### 4.1 Vermiculite for Logs Layout

Use the entire bag of supplied Vermiculite.  
**TAKE CARE NOT TO SPILL VERMICULITE INTO THE PILOT AREA. ONLY VERMICULITE SUPPLIED BY GAZCO SHOULD BE USED IN THIS APPLIANCE.**

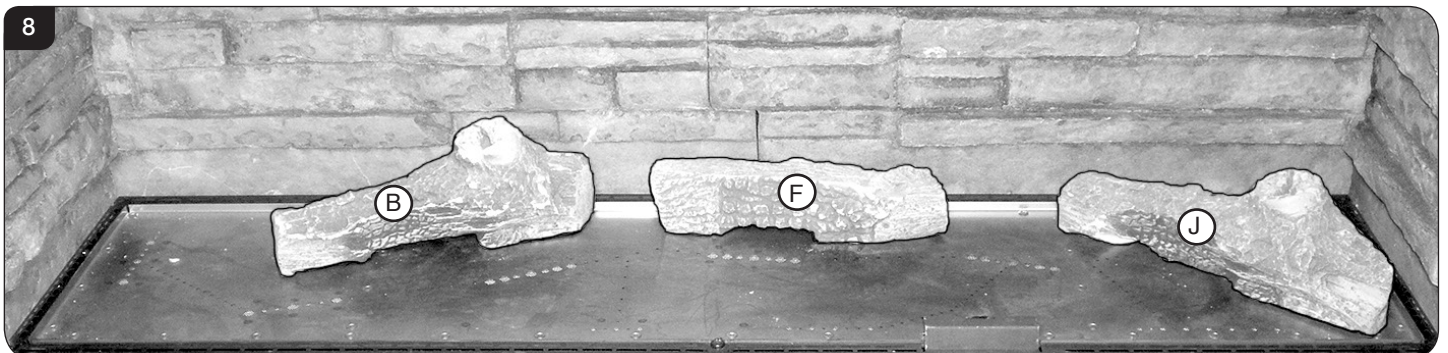
## 5. Log Layout

**LOGS MUST BE POSITIONED ACCORDING TO THE FOLLOWING INSTRUCTIONS TO GIVE THE CORRECT FLAME EFFECT**

All logs can be identified by a letter (A - J) on their underside.

Note: There are 2 identical logs identified by the letter D.

5.1 The first 3 logs B, F and J, also have holes to locate each onto burner studs. Working from left to right places logs B, F and J onto their studs as illustrated in Diagram 8.



# User Instructions

5.2 Use all the vermiculite to fill the burner tray, surrounding the logs. Spread evenly across the whole burner, see Diagram 9.

DO NOT spread vermiculite on the trims surrounding the burner.



Diagram 10 shows the layout of logs A, H, the first Log D and the 2 larger embers.

5.3 Place Log A on the left hand side of the burner with the large branch resting against the back liner approximately 50mm from the left side liner and with the small branch resting on Log B. The front of Log A rests in line with the front of the burner approximately 50mm from the side liner.

5.4 The left end of Log D rests on Log B to the right of the wood knot and against the back panel. The right end rests on the burner with the small branch in line with the front of the burner.

5.5 Place Log H in line with the back edge of the burner between Logs F and J.

5.6 Place 1 large ember toward the back left of the burner, behind Log B. Place the second large ember onto the left hand side of Log F.

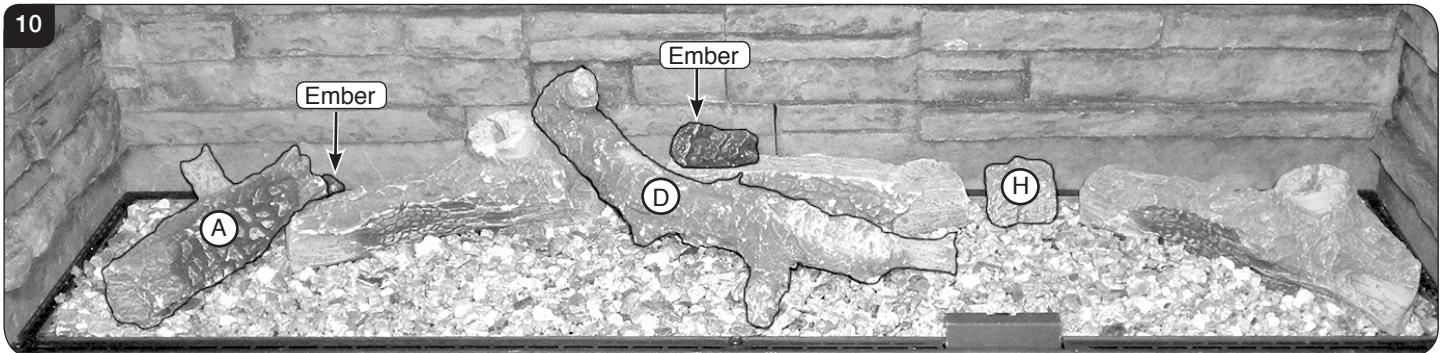


Diagram 11 shows the layout of logs E and the second Log D.

5.7 Place the second Log D across the first Log D with the thin end of the log resting against the centre of the back liners. The left side rests against the front edge of the burner.

5.8 Place the thin end of Log E across Log J snugly against the left hand side of the knot with the small branch up against the front face of Log J. Rest the left hand side of Log E just behind the pilot area. **Ensure that the log does not protrude into the pilot area.**



# User Instructions

Diagram 12 shows the layout of logs G and I.

- 5.9 The back end of Log G rests on Log F against the rear liner. The centre of the log rests across Log D with the front resting on Log E. The front of the log should align with the pilot aperture.

- 5.10 There is no specific orientation for Log I. Place the back of Log I on Log B to the left hand side of the knot. Rest the front of Log I on the second Log D to the right hand side of the branch.



- 5.11 The left hand side of the Log C locates in an indent in Log G. Rest the right hand side of the log on Log J with the bend resting against the back panel.

Ensure that the left hand side of Log C does not protrude past the front face of Log G.



- 5.12 Separate the Embaglow material into smaller pieces and pull into shape to create a fine layer.

- 5.13 Sparingly place the pieces of Embaglow between the logs in the highlighted areas shown in Diagram 14. Ensure the material is placed loosely between the logs to create a random glow.

Take care not to use more than half a packet per application.

**WARNING - DO NOT PLACE NEAR THE PILOT AREA.**

**NOTE: LPG and Nat Gas models require different layouts for the placement of the Embaglow, ensure that the correct layout is followed.**

NOTE: This material will last approximately 500 hours burning. It is a consumable part and should be replaced when necessary. It can be purchased from your local dealer, Part No. GZ8471.



# User Instructions

5.14 Place the 5 medium embers into the 4 corners of the fuelbed and one under the second Log D, see Diagram 15.

5.15 Place the small embers along the front of the fuelbed and the left hand side of Log A, see Diagram 15.



## 6. Flame Failure Device

6.1 This is a safety feature incorporated on this appliance which automatically switches off the gas supply if the pilot goes out and fails to heat the thermocouple.

**IF THIS OCCURS DO NOT ATTEMPT TO RELIGHT THE APPLIANCE FOR 3 MINUTES.**

## 7. Running In

7.1 During initial use of a new GAZCO appliance a strong odour will be encountered as various surface coatings become hot for the first time. Although these odours are harmless it is recommended that the appliance is operated on maximum for 4 to 8 hours in order to fully burn off these coatings. After this period the odours should then disappear.

If the odours persists, please contact your installer for advice.

7.2 During the first few hours of burning there may be discolouration of the flames. This will also disappear after a short period of use.

## 8. Servicing

8.1 The appliance must be serviced every 12 months by a qualified Gas Engineer. In all correspondence always quote the Model number and the Serial number which may be found on the Commissioning Checklist (Page 3).

## 9. Ventilation

9.1 This appliance requires no additional ventilation.

## 10. Installation Details

10.1 Your installer should have completed the commissioning sheet at the front of this book. This records the essential installation details of the appliance. In all correspondence always quote the Model number and Serial number.

## 11. Hot Surfaces

- 11.1 Parts of this appliance become hot during normal use.
- 11.2 Regard all parts of the appliance as a working surface.
- 11.3 Provide a suitable fire guard to protect young children and the infirm.

## 12. Appliance will not light

If you cannot light the appliance:

- 12.1 Check and change the batteries in the remote handset.
- 12.2 Consult your Gazco retailer or installer if the appliance still does not light.

# Installation Instructions

## Technical Specification

Covering the following models:

| Eclipse 100 |                   |                     |
|-------------|-------------------|---------------------|
|             | Ledgestone Panels | Black Reeded Panels |
| Nat Gas     | 128-041           | 128-030             |
| LPG         | 128-429           | 128-516             |

| Model  | Gas CAT.         | Gas Type      | Working Pressure | Aeration            | Injector | Gas Rate m <sup>3</sup> /h | Input kW (Gross) |     | Country |
|--|------------------|---------------|------------------|---------------------|----------|----------------------------|------------------|-----|---------|
|  |                  |               |                  |                     |          |                            | High             | Low |         |
| Eclipse 100  | I <sub>2</sub> H | Natural (G20) | 20mbar           | Centre: 15mm x 17mm | 400      | 1.05                       | 11.0             | 4.6 | GB, IE  |
|  |                  |               |                  | Sides: 8mm x 15mm   | 300      |                            |                  |     |         |
|  | I <sub>3</sub> P | Propane (G31) | 37mbar           | Centre: 12mm x 15mm | 185      | 0.406                      | 10.8             | 4.7 | GB, IE  |
|  |                  |               |                  | Sides: 9mm x 15mm   | 110      |                            |                  |     |         |
| <b>Efficiency Class 1 - 85% / NO<sub>x</sub> Class 4</b> |                  |               |                  |                     |          |                            |                  |     |         |
| Flue Outlet Size Ø 100mm                                 |                  |               |                  |                     |          |                            |                  |     |         |
| Flue Inlet Size Ø 150mm                                  |                  |               |                  |                     |          |                            |                  |     |         |
| Gas Inlet Connection Size Ø 8mm                          |                  |               |                  |                     |          |                            |                  |     |         |

Power Supply: A 230V +/- 10% - 50Hz  
 Maximum power consumption: 63 Watts  
 Operating Temperature: 0°C - 25°C

### THIS APPLIANCE MUST BE EARTHED

A 2 metre lead with plug containing a 3 amp fuse is supplied. Only use a 3 amp fuse with this appliance.

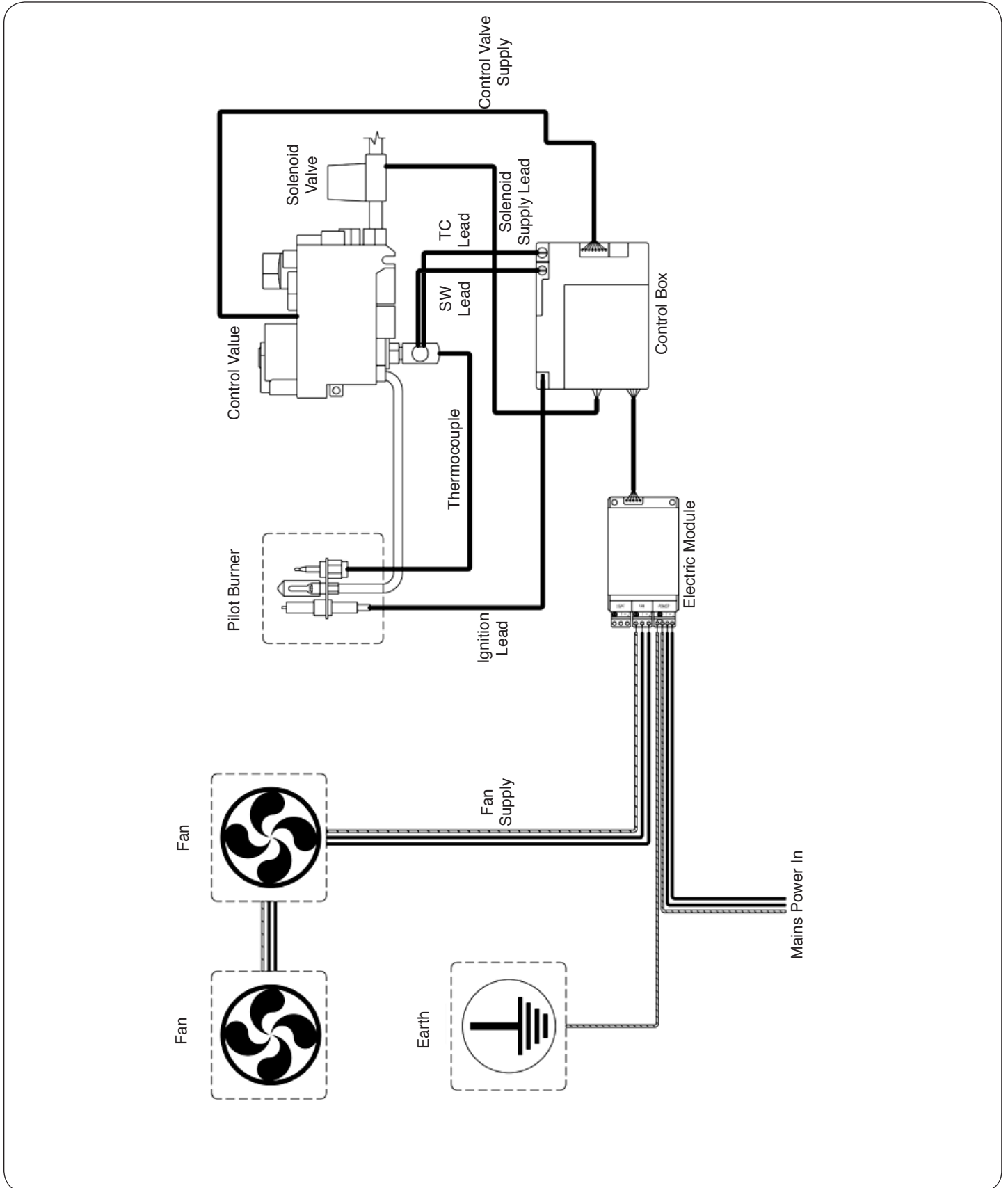
**i** The net efficiency of this appliance has been measured as specified in EN613:2001 and the result after conversion to gross using the appropriate factor from Table E4 of SAP 2012 is 77%. The test data has been certified by Technigas Belgium. The gross efficiency value may be used in the UK Government's Standard Assessment Procedure (SAP) for energy rating of dwellings.

### RESTRICTOR REQUIREMENT

| VERTICAL & HORIZONTAL FLUE |                   |                 | TOP EXIT - VERTICAL ONLY INCLUDING OFFSET |                 |
|----------------------------|-------------------|-----------------|---|-----------------|
| ECLIPSE 100                |                   |                 | ECLIPSE 100                               |                 |
| Vertical Flue Height       | Horizontal Length | Restrictor Size | Vertical Flue Height                      | Restrictor Size |
| 500mm - 1499mm             | Up to 1000mm      | -               | 3000mm - 5999mm                           | 60mm Ø          |
| 1500mm - 1999mm            | Up to 3000mm      | -               | 6000mm - 10000mm                          | 52mm Ø          |
| 2000mm - 3000mm            | Up to 1999mm      | 75mm Ø          |   |                 |
| 2000mm - 3000mm            | 2000mm - 5000mm   | -               |   |                 |
|                            |                   |                 |   |                 |

# Installation Instructions

## Wiring Diagram



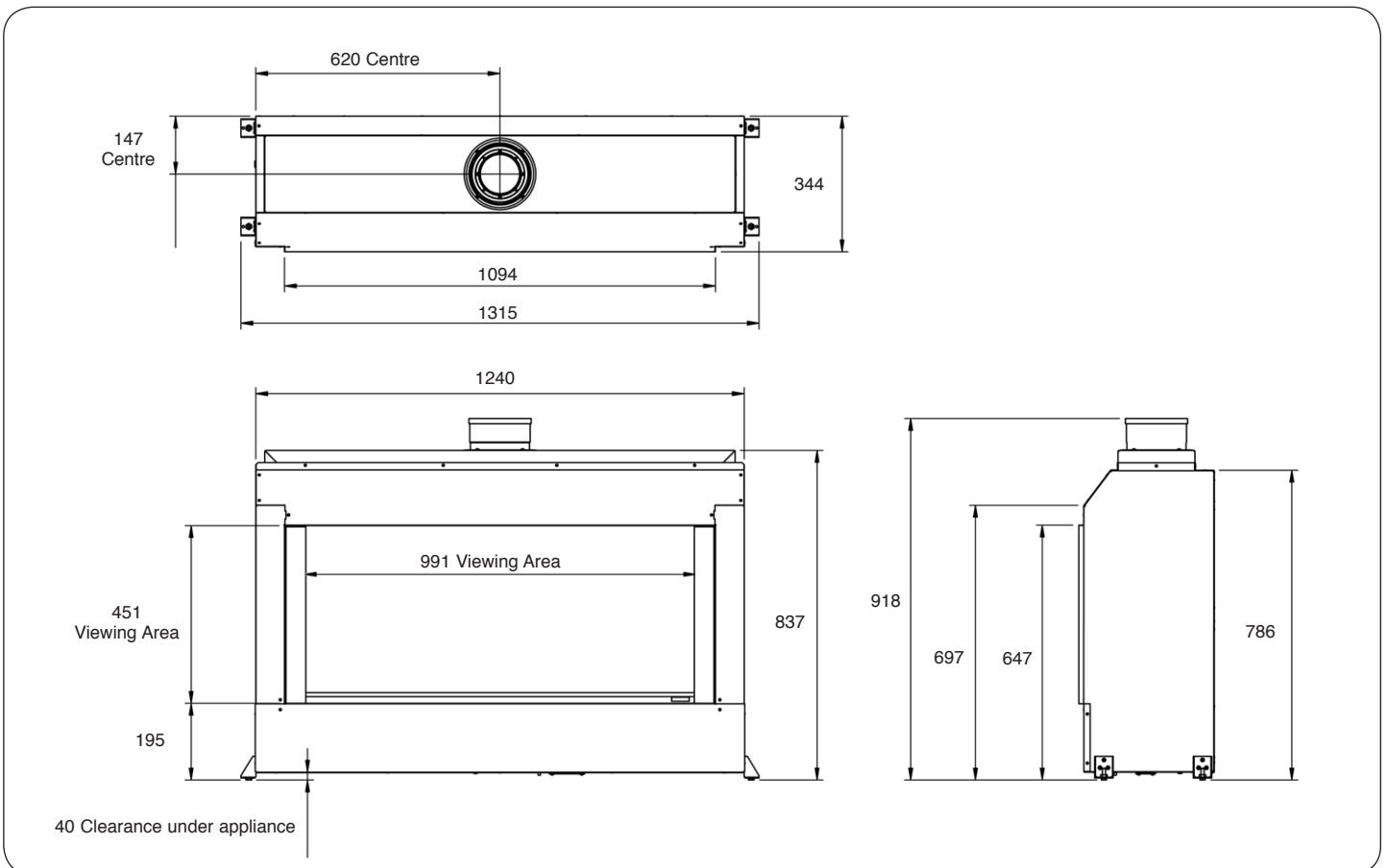
# Installation Instructions

## Technical Specification

This appliance has been certified for use in countries other than those stated. To install this appliance in these countries, it is essential to obtain the translated instructions and in some cases the appliance will require modification. Contact Gazco for further information.

### PACKING CHECKLIST

| Qty Description                  | Fixing Kit containing:-      |
|----------------------------------|------------------------------|
| 1 x Log Set including Ember Pack | 1 x Instruction Manual       |
| 2 x Vermiculite Packs            | 1 x Quick Start Guide        |
| 1 x Embaglow pack                | 1 x 9V cell battery          |
|                                  | 2 x No. 8 Dome screws        |
|                                  | 2 x 35mm Rawl Plugs          |
|                                  | 4 x No. 10 Dome screws       |
|                                  | 4 x 40mm Rawl Plugs          |
|                                  | 1 x Restrictor x 52mm $\phi$ |
|                                  | 1 x Restrictor x 60mm $\phi$ |
|                                  | 1 x Restrictor x 75mm $\phi$ |



# Installation Instructions

## Site Requirements

### 1. Flue & Chimney Requirements

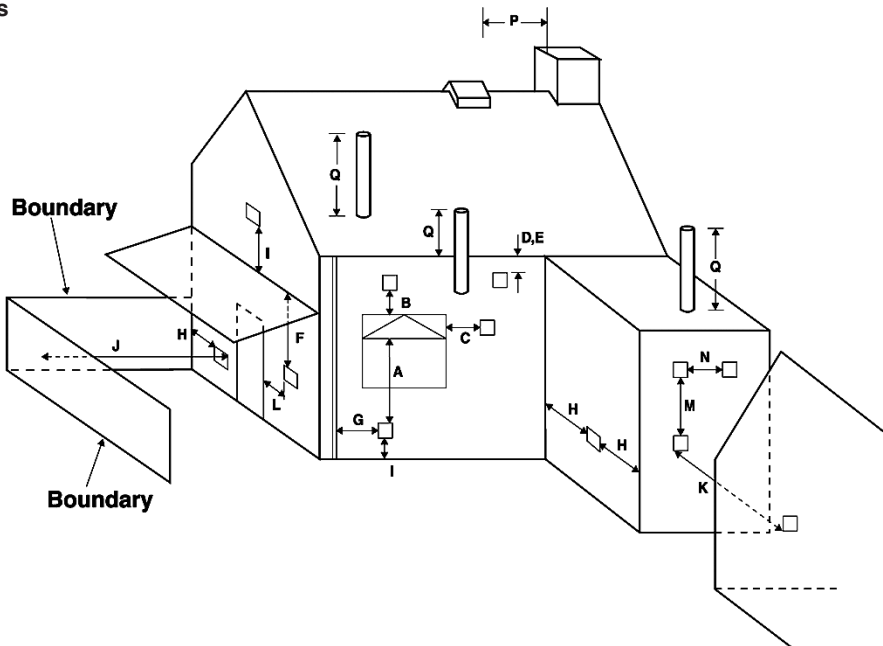
**Note: This appliance must only be installed with the flue supplied.**

You must adhere to the following:

- 1.1 The flue must be sited in accordance with BS5440: Part 1 (latest edition), see Diagram 1.
- 1.2 Fit a guard to protect people from any terminal less than 2 metres above any access such as level ground, a balcony or above a flat roof.
- 1.3 All vertical and horizontal flues must be securely fixed and fire precautions followed in accordance with local and national codes of practice.
- 1.4 A restrictor may be required, see Technical Specifications on page 13.
- 1.5 Two types of flue terminals are available, horizontal and vertical.

- 1.6 To measure for a horizontal terminal decide on the terminal position.
- 1.7 Measure the height from the top of the appliance to the centre of the required outlet.
- 1.8 For minimum and maximum flue dimensions see Diagram 2.
- 1.9 Allow enough room either above or to the side of the appliance to assemble the flue on top.
- 1.10 Assemble a horizontal flue in the following order:
  - Vertical section
  - 90° elbow
  - Horizontal plus terminal
- 1.11 Support the opening of a masonry installation with a lintel.
- 1.12 Only the horizontal terminal section can be reduced in size.

### 1 UK Dimensions



| Dimension | Terminal Position   | Minimum Distance |
|-----------|---|------------------|
| A*        | Directly below an opening   | 600mm            |
| B*        | Above an opening  | 300mm            |
| C*        | Horizontally next to an opening   | 400mm            |
| D         | Below gutters, soil pipes or drain pipe                                     | 300mm            |
| E         | Below eaves   | 300mm            |
| F         | Below balcony or car port roof  | 600mm            |
| G         | From a vertical drain pipe or soil pipe                                     | 300mm            |
| H         | From an internal or external corner or to a boundary alongside the terminal | 600mm            |
| I         | Above ground, roof or balcony level   | 300mm            |

| Dimension | Terminal Position   | Minimum Distance |
|-----------|---|------------------|
| J         | From a surface or boundary facing the terminal                        | 600mm            |
| K         | From a terminal facing the terminal                                   | 600mm            |
| L         | From an opening in the car port (e.g. door, window) into the dwelling | 1200mm           |
| M         | Vertically from a terminal on the same wall                           | 1200mm           |
| N         | Horizontally from a terminal on the same wall                         | 300mm            |
| P         | From a structure on the roof  | 600mm            |
| Q         | Above the highest point of intersection with the roof                 | 300mm            |

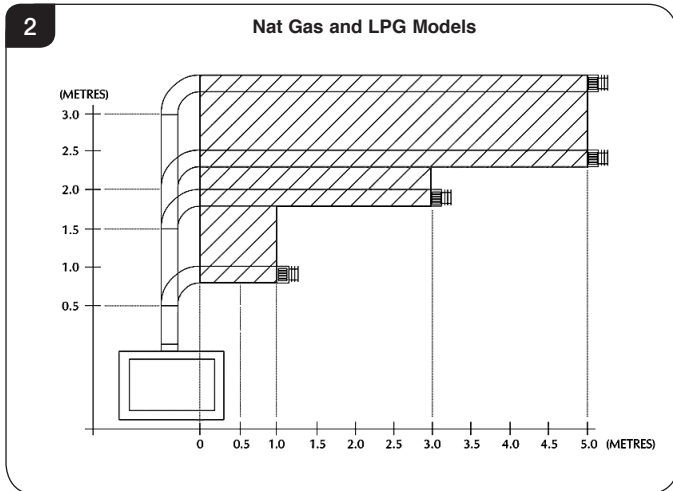
\* In addition, the terminal should not be nearer than 300mm to an opening in the building fabric formed for the purpose of accommodating a built-in element such as a window frame.



# Installation Instructions

## Site Requirements

### 2. Flue Options



Start of bend to centre line of horizontal flue 170mm. Centre line of vertical flue to end of bend 220mm.

### 2a. Top Flue Up and Out Kit (8523)

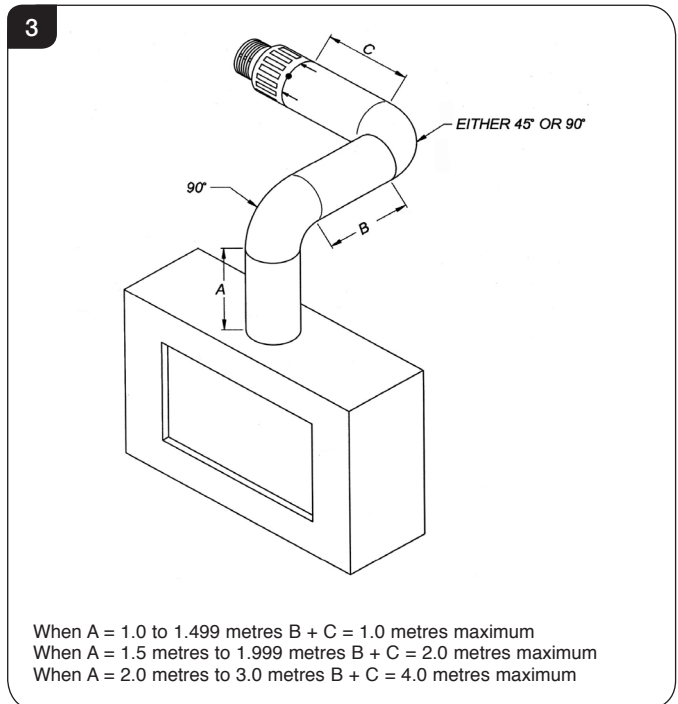
Vertical from the top of the appliance then horizontally out, see Diagram 2. The basic kit comprises:

- 1 x 500mm vertical length
- 1 x 500mm terminal length (cut to length on site)
- 1 x 90 degree elbow
- 1 x wall plate
- 1 x 75mm restrictor
- 1 x Fixing screw pack
- 1 x 60mm restrictor
- 1 x 52mm restrictor

The kit may be used on its own. Extra lengths may be added to the vertical and horizontal from the list below, see Section 3.

### 2b. Top Flue Up and Out with Additional Bend

Any additional bend may be used on the horizontal section (either 45° or 90°), but the overall horizontal flue run will be reduced, see Diagram 3.

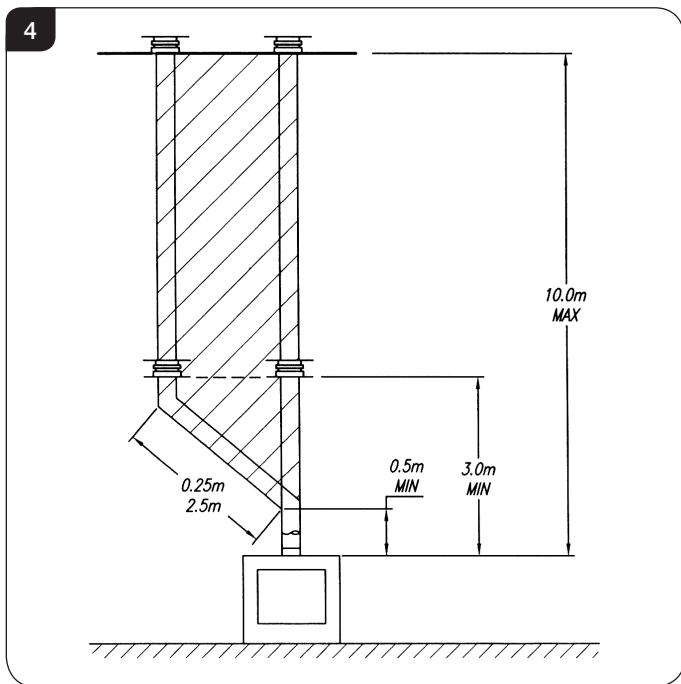


# Installation Instructions

## Site Requirements

### 2c. Top Flue Vertical Kit (8524/8524AN)

Vertical from the top of the appliance, see Diagram 4. A minimum vertical rise 3m (9'10") to a maximum 10m (32'10"). The basic kit comprises:  
 2 x 1m lengths  
 1 x 1m terminal length  
 1 x 52mm restrictor  
 1 x 47mm restrictor - Not used on this appliance  
 1 x 60mm restrictor  
 1 x 70mm restrictor - Not used on this appliance  
 Extra lengths may be added from the list below.



### 2d. Top Flue Vertical Offset Kit (8530/8530AN)

Used with kit 8524. A minimum rise of 500mm (19½") is required to the first bend, see Diagram 5.

### 3. Optional Extra Flue Lengths

All flue components are 150mm diameter (6").

| NOMINAL LENGTH                         | ACTUAL LENGTH | STAINLESS FINISH | ANTHRACITE FINISH | IVORY FINISH |
|--|---------------|------------------|-------------------|--------------|
| 200mm                                  | 140mm         | 8527             | 8527AN            | 999-357      |
| 500mm                                  | 440mm         | 8528             | 8528AN            | 999-372      |
| 1000mm                                 | 940mm         | 8529             | 8529AN            | 999-391      |
| 15° Bend                               | N/A           | 999-003          | N/A               | N/A          |
| 30° Bend                               | N/A           | 999-016          | N/A               | N/A          |
| 45° Bend                               | N/A           | 8507             | 8507AN            | 999-172      |
| 90° Bend                               | N/A           | 8508             | 8508AN            | 999-284      |
| Optional Flue Collar (Appliances Only) |               | N/A              | 8548              | N/A          |

**NOTE: Carefully consider:**

- a) Terminal positions
- b) Flue supports
- c) Weatherproofing
- d) Fire precautions

For all the above options, you must conform to local and national codes of practice.

### 4. Chimney Renovation Kit (928-315)

Details of the Chimney Renovation Kit are available in the separate installation instructions - PR2073 Chimney Renovation Kit instructions.

### 5. Gas Supply

**THIS APPLIANCE IS INTENDED FOR USE ON A GAS INSTALLATION WITH A GOVERNED METER.**

- 5.1 Before installation, ensure that the local distribution conditions (identification of the type of gas and pressure) and the adjustment of the appliance are compatible.
- 5.2 Ensure the gas supply delivers the required amount of gas and is in accordance with the rules in force.
- 5.3 Soft copper tubing can be used on the installation and soft soldered joints outside the appliance and below the firebed.
- 5.4 A factory fitted isolation device is part of the inlet connection; no further isolation device is required.
- 5.5 All supply gas pipes must be purged of any debris that may have entered prior to connection to the appliance.
- 5.6 The gas supply enters through the aperture located in the base of the box.

# Installation Instructions

## Site Requirements

### 6. Ventilation

- 6.1 This appliance requires no additional ventilation.

### 7. Appliance Location



**Note:** This appliance is supplied as an edge installation but it is possible to fit a frame at a later stage without any remedial building work needed. However the appliance must originally be installed a minimum of 150mm above floor level to allow for this.

- 7.1 **PLEASE NOTE THIS APPLIANCE HAS BEEN PRIMARILY DESIGNED FOR STUDWORK INSTALLATIONS.**

**IMPORTANT:** This finishing method will effect the construction of the studwork so the relevant sections must be consulted before beginning the installation.

The decorative finishing options must be an Edge finish or used in conjunction with the Tile Bracket kit (Gazco Part No. 999-117) - see Installation Instructions, Section 3.

- 7.2 This appliance must stand on a non-combustible platform that is at least 12mm thick.

**NOTE:** If you intend to construct the fascia of the fireplace opening from natural materials it is recommended you cut this into three or more sections to prevent cracking. Resin-based materials may not be suitable. This appliance is an effective heat producer and attention must be paid to the construction and finish of the fireplace.

- 7.3 A combustible shelf must be:

- Maximum 150mm in depth.
- Minimum 300mm high above the appliance.

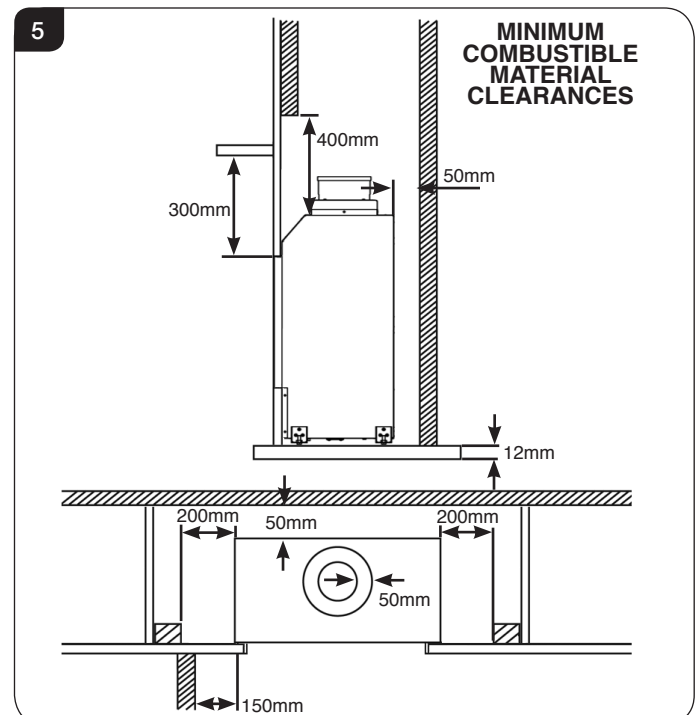
A combustible side wall must be a minimum of 150mm from the appliance.

- 7.4 This appliance can be installed with an up and out flue (vertical wall - horizontal flue) or with a vertical flue with roof termination (see Site Requirements, Section 2, Flue Options).

- 7.5 This appliance is not suitable for installation onto a combustible wall. Remove all combustible material from the area shown, see Diagram 5.

### Studwork Installation

- 7.6 If a studwork installation is used (eg. wooden framework and plasterboard), combustible parts of the studwork must not be any closer than the minimum dimensions shown in the diagrams. **NOTE:** These dimensions must be maintained even if the combustible materials is protected by non-combustible linings.
- 7.7 Do not pack the void around or above the appliance with insulation materials such as mineral wool.
- 7.8 The void into which the cassette is fitted must be ventilated to prevent a build up of heat. If the void is sealed then it will be necessary to fit vents at both low and high levels of approximately 50cm<sup>2</sup> each. These vents should take cold air from the room and return warm air back into the room.
- 7.9 A removable access hatch must be left in the side of the chimney breast for future servicing and inspection of the appliance.
- 7.10 Build the studwork chimney breast to the desired size. Ensure that the clearances to combustible materials is maintained.



- 7.11 It is recommended that a marble slip or similar material is used when fitting cassette fireplaces into a plastered surface, in order to allow for heat dissipation. Also allow adequate time for newly plastered areas to dry out. Rapid drying can create cracks. If in doubt, seek the advice of a professional plasterer.
- 7.12 Parts of this appliance become hot during normal use. It is therefore recommended that a suitable fire guard be used for protection of young children and the infirm.

# Installation Instructions

## Site Requirements

### Masonry Installation

7.13 Please note this appliance has been primarily designed for studwork applications. However, there are circumstances where the appliance could be installed in a block or brickwork fireplace using different methods and materials for the final effect.

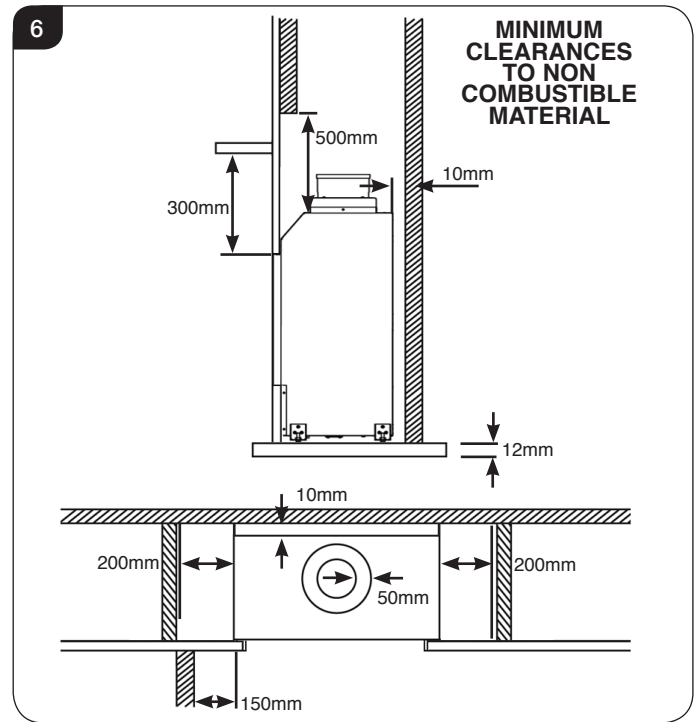
**THIS VOID MUST BE VENTED TO PREVENT HEAT BUILD UP AROUND THE APPLIANCE.**

7.14 This appliance is not suitable for installation onto a combustible wall. Remove all combustible material from the area shown, see Diagram 6.

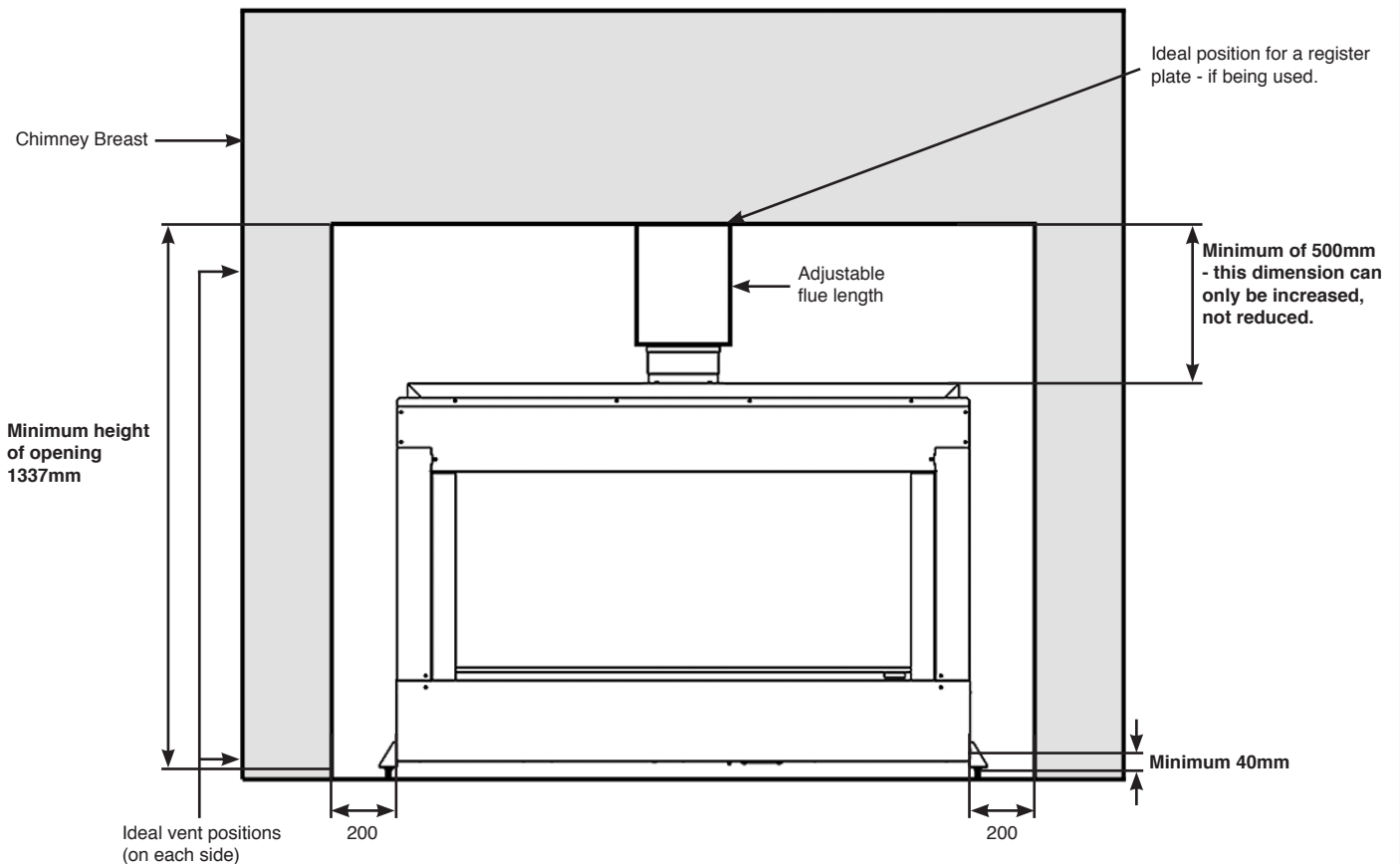
7.15 Create a Builders Opening in chimney breast to the required size, see Diagram 7. Ensure that the clearances to combustible materials is maintained.

7.16 In addition to constructing the Builder's Opening to the required size each side must have a high and low vent of 50cm<sup>2</sup> to allow convection air to travel around the product.

**The low vent should be as close to the base of the appliance as possible (preferably less than 40mm from the floor) and the high vent should be within the 500mm gap above.**



### 7 Ideal Masonry Installation



# Installation Instructions

## 1. Safety Precautions

- 1.1 For your own and other's safety, you must install this appliance according to local and national codes of practice. Failure to install the appliance correctly could lead to prosecution. **Read these instructions before installing and using this appliance.**
- 1.2 These instructions must be left intact with the user.
- 1.3 Do not attempt to burn rubbish on this appliance.
- 1.4 Keep all plastic bags away from young children.
- 1.5 Do not place any object on or near to the appliance and allow adequate clearance above the appliance.

**IF THE APPLIANCE IS EXTINGUISHED OR GOES OUT IN USE, WAIT 3 MINUTES BEFORE ATTEMPTING TO RELIGHT THE APPLIANCE.**

**i** **IMPORTANT: REFER TO DATA BADGE AND TECHNICAL SPECIFICATION AT THE FRONT OF THE MANUAL TO ENSURE THE APPLIANCE IS CORRECTLY ADJUSTED FOR THE GAS TYPE AND CATEGORY APPLICABLE IN THE COUNTRY OF USE.**

**FOR DETAILS OF CHANGING BETWEEN GAS TYPES REFER TO SERVICING, SECTION 17, REPLACING PARTS.**

## Unpacking

- 1.6 Remove the appliance from its packaging, and check that it is complete and undamaged.
- Ensure no components are thrown away when unpacking.

## 2. Installation of the Appliance

**i** **GAZCO OFFER AN OPTIONAL BATTERY BACK UP KIT FOR THE ECLIPSE (PART NO. 999-639) IN CASE OF MAINS SUPPLY FAILURE.**

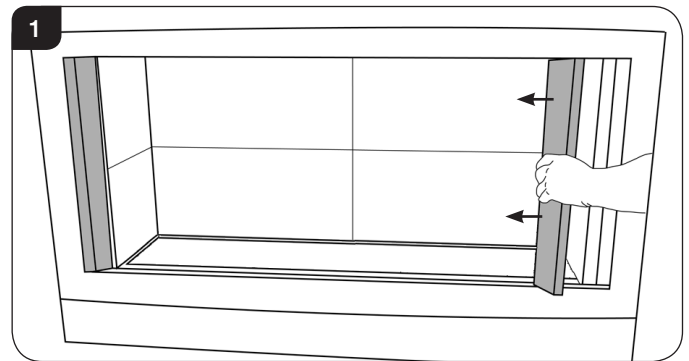
**THIS KIT MUST BE INSTALLED AT THE SAME TIME AS THE APPLIANCE.**

**! IMPORTANT: NO MATTER IF A FRAME IS TO BE ATTACHED OR NOT, THE APPLIANCE MUST ALWAYS BE INSTALLED AS AN EDGE FINISH.**

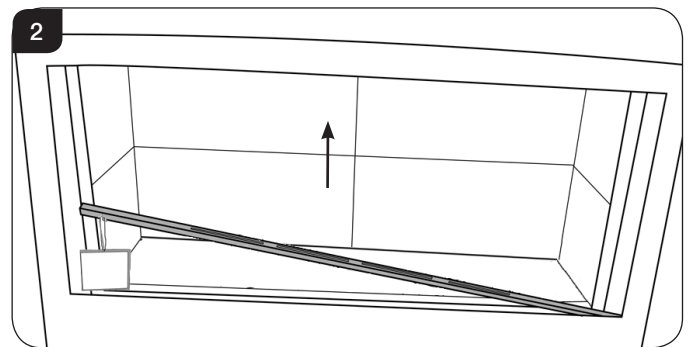
Before installing the appliance it will be necessary to remove the following:

- Side trims - External
- Bottom Trim - External
- Glass Frame
- Box containing fuel effect and remote control
- Burner Trims
- Liner Panels
- Main Burner

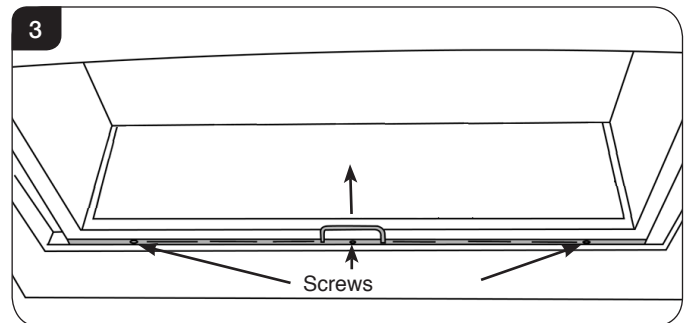
- 2.1 Remove the glass frame by removing the 2 side trims, see Diagram 1. These are held on by magnets.



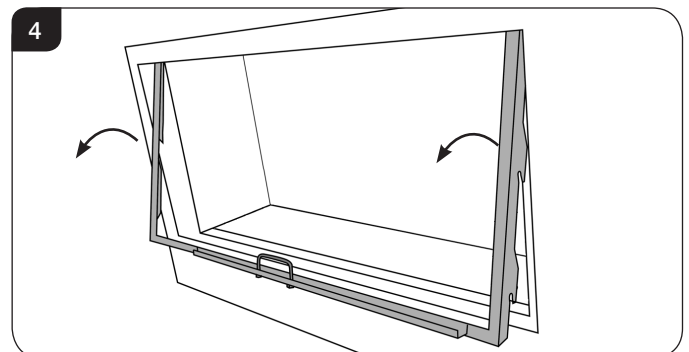
- 2.2 Lift out the bottom slotted trim, see Diagram 2. Note the orientation of the metal shield for reassembly.



- 2.3 Remove the 3 screws at the base of the door, the centre screw is located under the handle, see Diagram 3.



- 2.4 Pull up the handle at the front, see Diagram 3.
- 2.5 Whilst supporting the top, lift the door using the handle, up and over the lower edge, see Diagram 4.

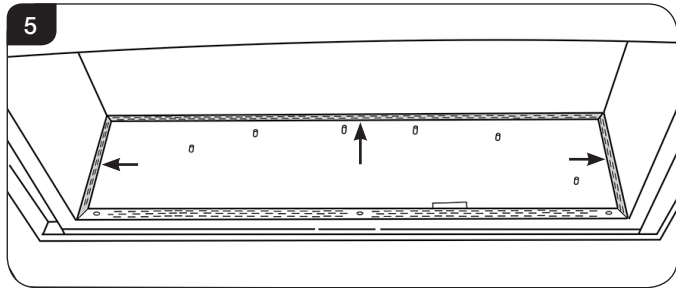


- 2.6 Remove the box from the appliance and store safely as it contains the remote control and fuel effects.

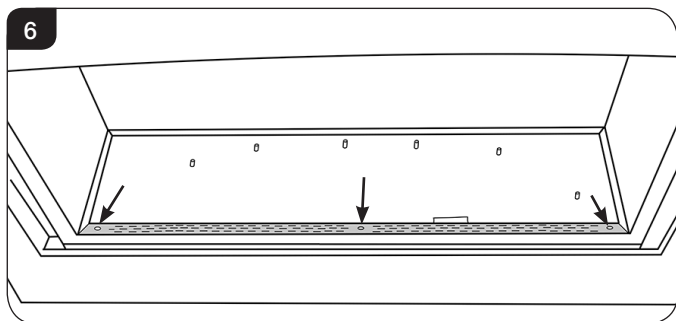
# Installation Instructions

## 3. Removal of the Liners

3.1 Remove the side and the back trims, see Diagram 5.



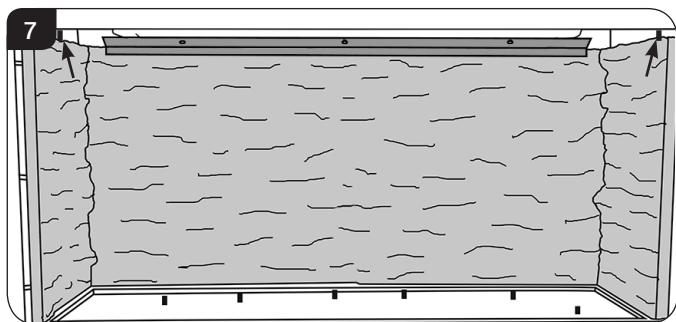
3.2 Remove the 3 screws securing the front trim, see Diagram 6 and remove.



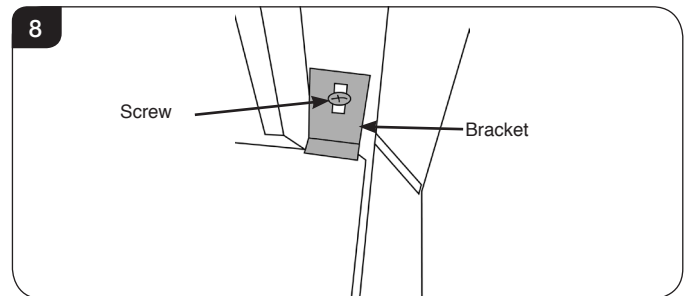
**! THE LINING EFFECTS ARE VERY FRAGILE - TAKE CARE WHEN REMOVING AND REPLACING.**

### 3a. Ledgestone Effect Liners

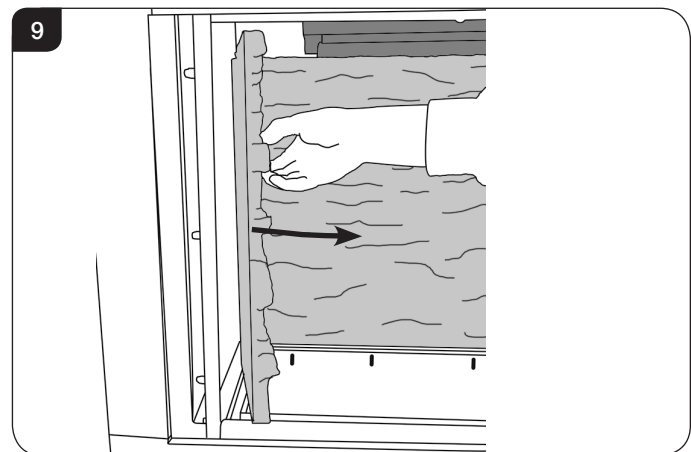
3a.1 The Ledgestone effect side liners are held in place by 2 brackets, see Diagram 7.



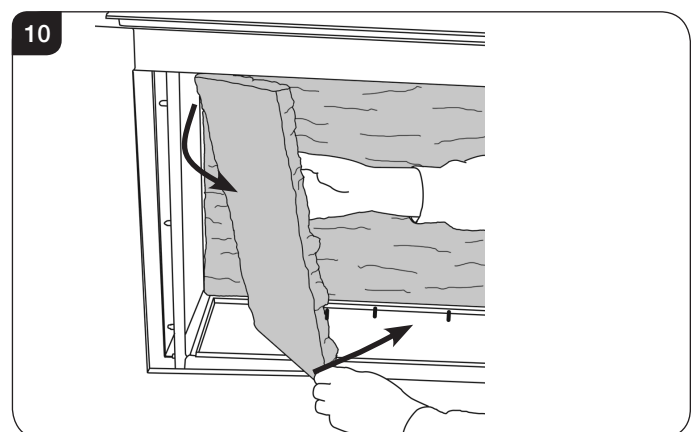
3a.2 Remove the screw at the top of the side liner brackets and place carefully to one side, see Diagram 8.



3a.3 Carefully hold the side liner and pull the nearest edge out at an angle of approximately 30° to free the brick effect from the back liner, see Diagram 9.



3a.4 Use a lifting motion to pull free of the rear liner whilst simultaneously angling the bottom of the panel upwards to gently withdraw it through the front of the appliance, see Diagram 10.  
**Take care not to damage the liner.**

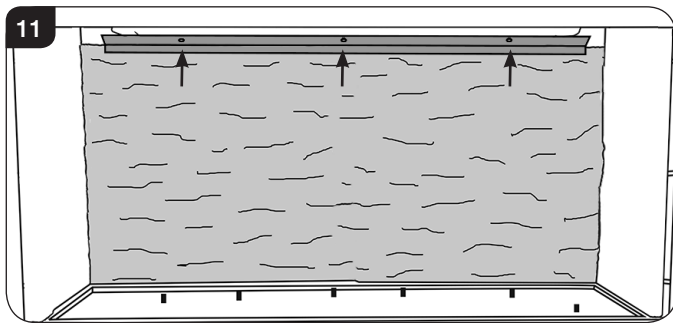


3a.5 Place the liner carefully to one side. Repeat for the other side.

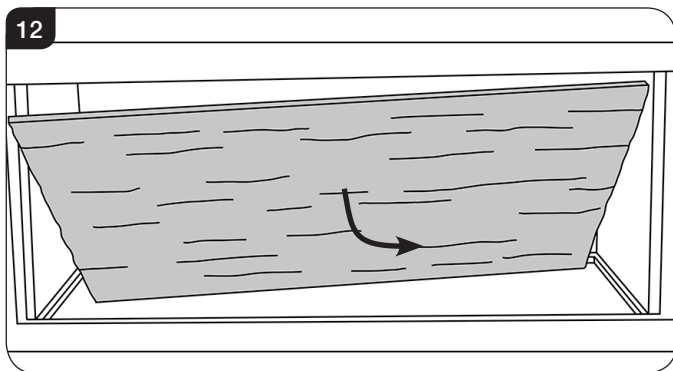
3a.6 The Ledgestone effect back liner is held in place by a bracket.

# Installation Instructions

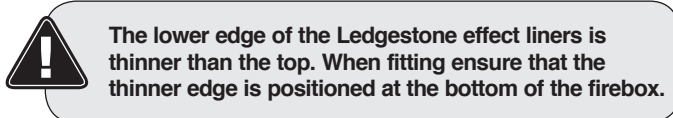
3a.7 Remove the 3 screws securing the back liner bracket and place carefully to one side, see Diagram 11.



3a.8 Carefully remove the back liner by tilting the top forward and lifting slightly to clear the burner tray. Twist slightly to allow it to be removed through the front of the appliance, see Diagram 12.  
**Take care not to damage the liner.**



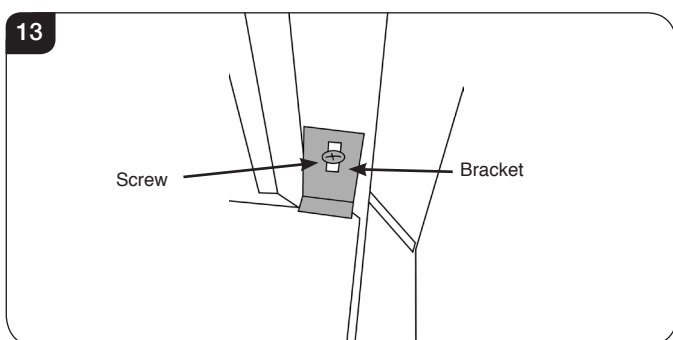
3a.9 Replace the liners in reverse order using the same technique to ensure no damage occurs.  
**Note the Left and Right hand side panels are individually marked to distinguish which side they fit.**



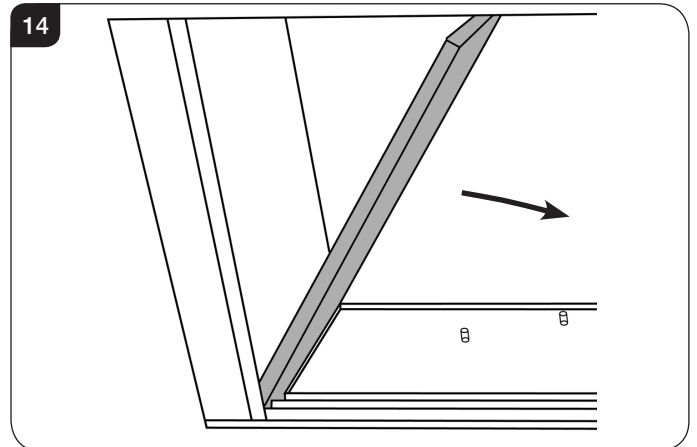
Ensure the brackets are replaced following fitment of the liners.

## 3b. Black Reeded Liners

3b.1 Release the screw at the top of the side liner and rotate the brackets, see Diagram 13.



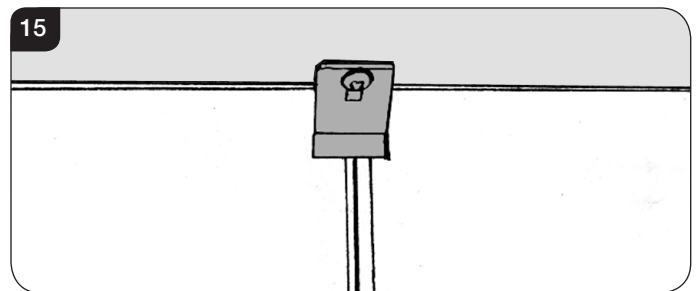
3b.2 Lean the top of the liner inwards and remove.



3b.3 Repeat with the other side.

**NOTE: the rear liners are in 2 pieces.**

3b.4 To remove the rear liners undo the screw and remove the bracket securing the liners in place, see Diagram 15.



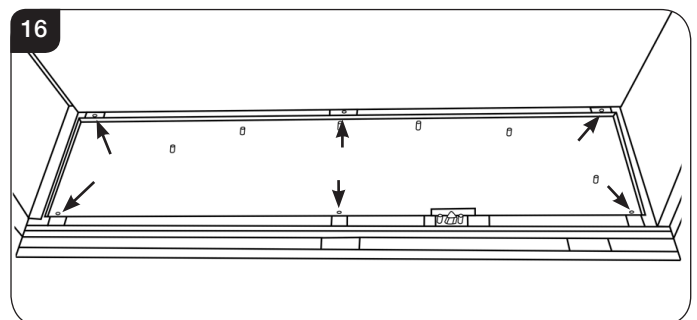
3b.5 Lean the top of the liners forward and lift out through the front of the appliance.

3b.6 Replace in the liners in reverse order.

## 4. Removing the Main Burner

**i** The Main Burner must be removed before installation. Before accessing the Burner tray it is advisable to take the liner sets out of the firebox to avoid damage, see section 3.

4.1 With the liner sets safely to one side remove the 6 burner fixing screws, see Diagram 16.

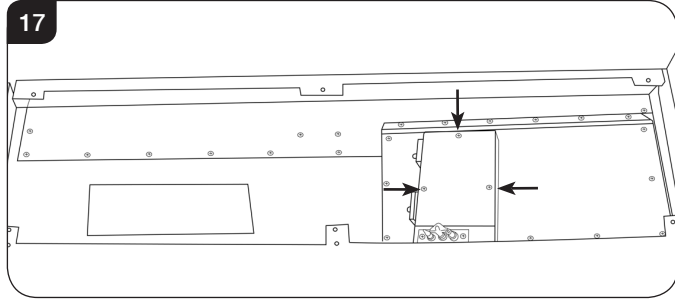


# Installation Instructions

- 4.2 Slide the burner fully to the left and lift the right hand side to clear the pilot.

Lift the burner vertically taking care not to hit the pilot electrode.

- 4.3 Remove the 3 screws to remove the access plate, see Diagram 17.



## 5. Studwork Installation

There are two methods of studwork installation available for the Eclipse:

**Installation Method 1:** This is a conventional Edge finish allowing for decoration up to the firebox opening to give a stylish minimalist finish or the installation of a decorative frame.

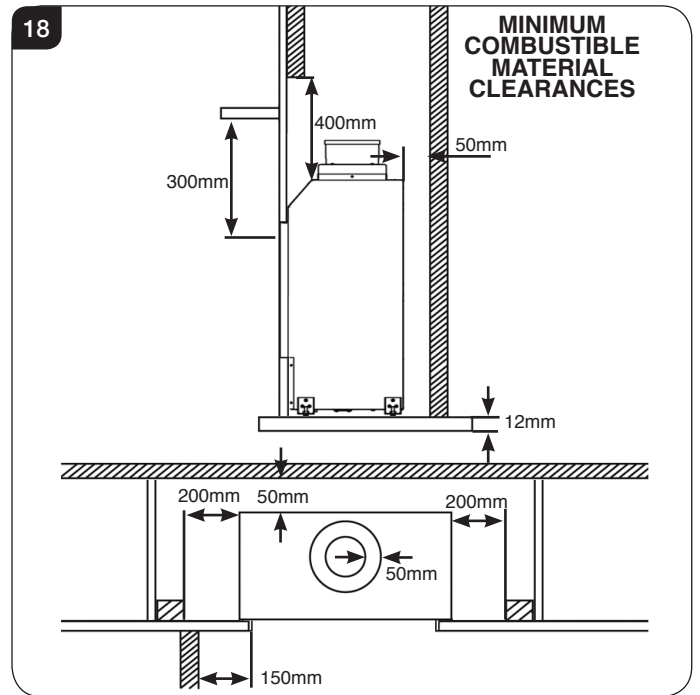
**Installation Method 2:** Is for use with the tiled wall kit (Gazco Part No. 999-117). This requires the fitting of a tile support bracket to allow a sleek Edge finish with large decorative tiles.

Please note it is essential to read and understand the chosen method of installation before attempt to fit the appliance.

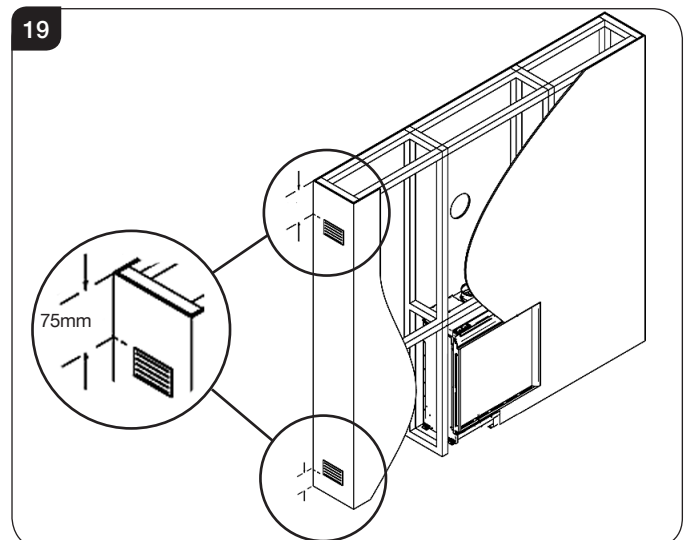
## Installation Method 1

- 5.1 **DISTANCE TO COMBUSTIBLE MATERIAL**

**COMBUSTIBLE PARTS OF THE STUDWORK MUST BE KEPT BEYOND THE MINIMUM DIMENSIONS SHOWN IN DIAGRAM 18. EVEN IF THE FRAMEWORK IS PROTECTED BY NON-COMBUSTIBLE MATERIAL, YOU MUST MAINTAIN THESE DIMENSIONS, SEE DIAGRAM 18.**



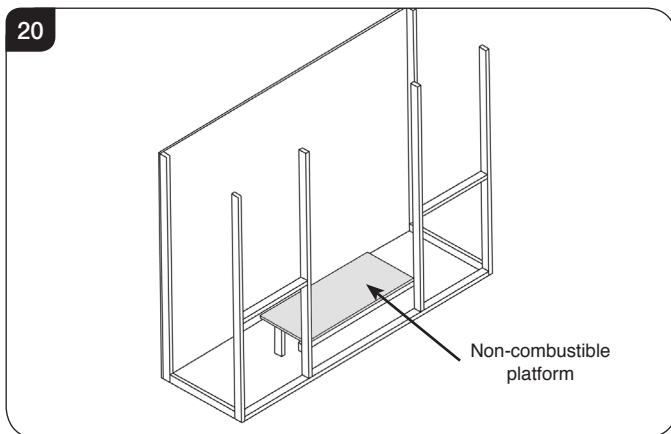
- 5.2 **DO NOT PACK THE VOID AROUND OR ABOVE THE APPLIANCE WITH INSULATION MATERIALS SUCH AS MINERAL WOOL.**
- 5.3 **THE VOID BUILT FOR THE CASSETTE MUST BE VENTILATED TO PREVENT A BUILD-UP OF HEAT. IF THE VOID IS SEALED, THEN YOU MUST FIT VENTS AT BOTH LOW AND HIGH LEVELS OF A MINIMUM OF 50CM<sup>2</sup> EACH. THESE VENTS MUST TAKE COLD AIR FROM THE ROOM AND RETURN WARM AIR BACK INTO THE ROOM.**



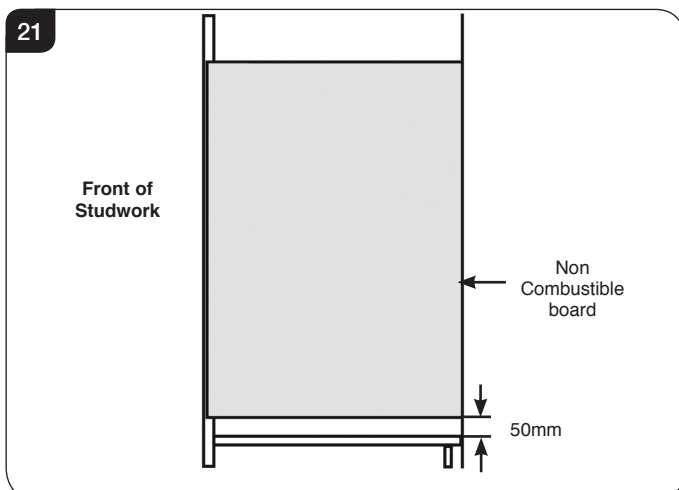


# Installation Instructions

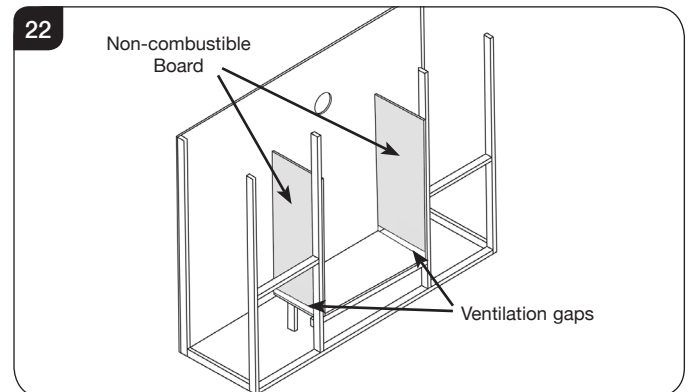
- 5.4 **ALTERNATIVELY FOR THE HIGH VENTILATION THE ENCLOSURE CAN BE CONSTRUCTED TO LEAVE A GAP BETWEEN THE TOP OF THE WALL AND THE CEILING GIVING THE REQUIRED VENTILATION AREA OR GREATER.**
- 5.5 **AN ACCESS HATCH MUST BE LEFT IN THE SIDE OF THE CHIMNEY BREAST FOR FUTURE SERVICING AND INSPECTION OF THE FLUE AND APPLIANCE.**
- 5.6 Build the studwork chimney breast and enclosure to the desired size to include a 12mm non-combustible platform at the required height, see Diagram 20.  
**Ensure that the clearances to combustible materials is maintained.**



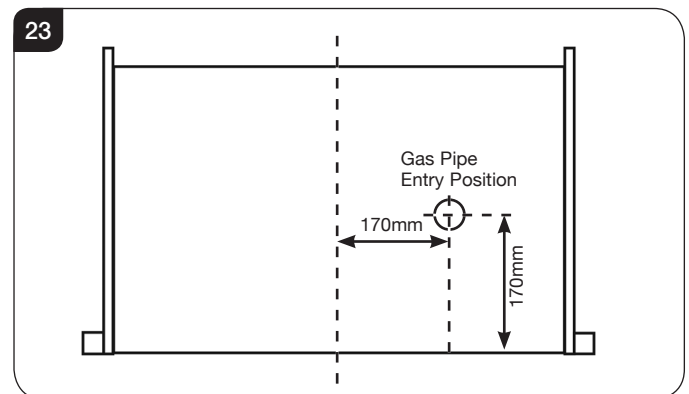
- 5.7 Line the aperture for the appliance with 12mm thick non-combustible material.
- 5.8 When fitting the cladding, there must be a gap of 50mm between the base and the non-combustible side boards to allow air circulation around the appliance vents, see Diagrams 21.



- 5.9 The 50mm gap allows the air to circulate into the enclosure and cool the appliance, see Diagram 22.

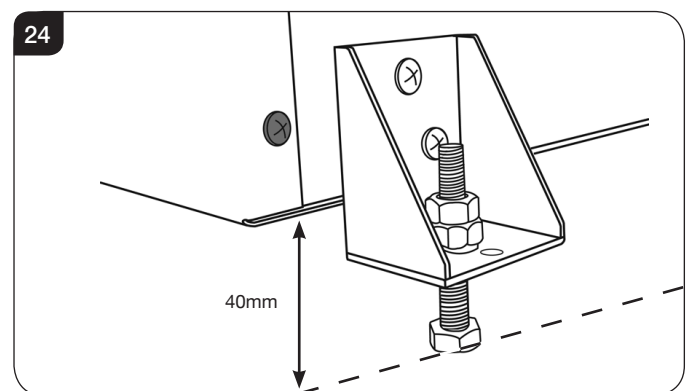


- 5.10 It will be necessary to provide gas to the underneath of the appliance. Cut a hole in the base in the position marked, see Diagram 23.



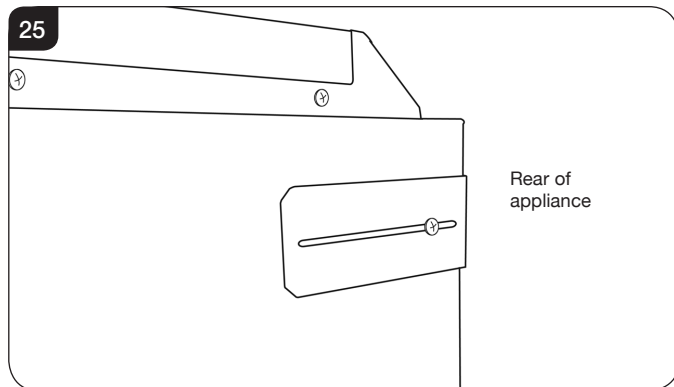
- 5.11 Place the appliance into position and level the feet on the platform with the adjustable screws on the base.

**IT IS VITAL TO ENSURE THE APPLIANCE HAS A 40MM CLEARANCE UNDERNEATH THE CASING TO ALLOW FOR AIR CIRCULATION, SEE DIAGRAM 24.**

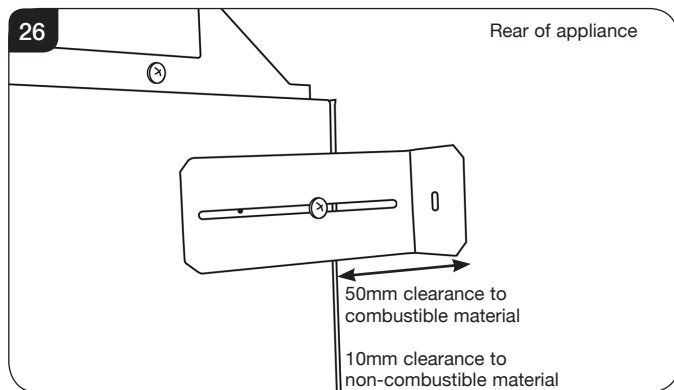


# Installation Instructions

- 5.12 Fixing brackets are attached to each side of the rear of the appliance by a screw, see Diagram 25.



- 5.13 Remove the screw and rotate the fixing brackets on the appliance so they can be fastened to the wall. Secure in the new position with the screw, see Diagram 26.

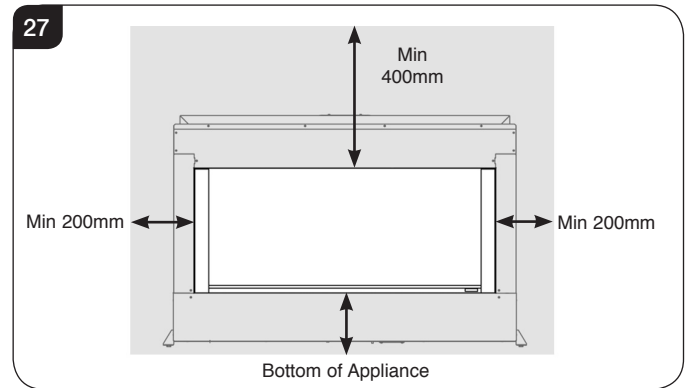


- 5.14 Ensure clearances are maintained behind the appliance and secure brackets to the rear wall, see Diagram 26.
- 5.15 Decide upon and cut the hole for the flue exit (see Site Requirements, Section 2).
- 5.16 Provide gas supply under the appliance as previously planned, see Diagram 23.
- 5.17 Provide electric services into the void on the left-hand side.

**i** It is necessary to be able to disconnect the appliance from the mains electrical supply after installation. This may be achieved by an accessible plug or by incorporating a switch into the fixed wiring in accordance with the rules in force.

- 5.18 Fit non-combustible board to the studwork around the appliance. This should extend to a minimum of 400mm above, 200mm to the sides and to the base of the appliance, see Diagram 27.

Ensure distances to combustibles are observed, see Diagram 18.



Drill through non-combustible board and into the front face of the metal. Secure board with screws to the front of the appliance.

- 5.19 Fit plasterboard to the remainder of the chimney breast.
- 5.20 Apply a heat resistant plaster around the appliance. This should extend to the minimum dimensions shown in Diagram 27.

Ensure distances to combustibles are observed, see Diagram 18.

- 5.21 Apply a plaster finish to the remaining plasterboard.

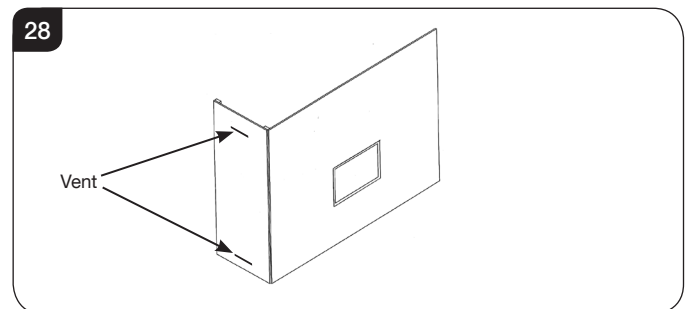
**To finish the installation:**

- 5.22 Connect the flue system, see Installation, Section 7.
- 5.23 Connect the wall box and batteries (Optional).
- 5.24 Connect the gas services using the opening in the side of the chimney breast for access.

**After commissioning:**

- 5.25 Finish the sides of the chimney breast, see Diagram 28.

Ensure that the void is ventilated, see 5.3.

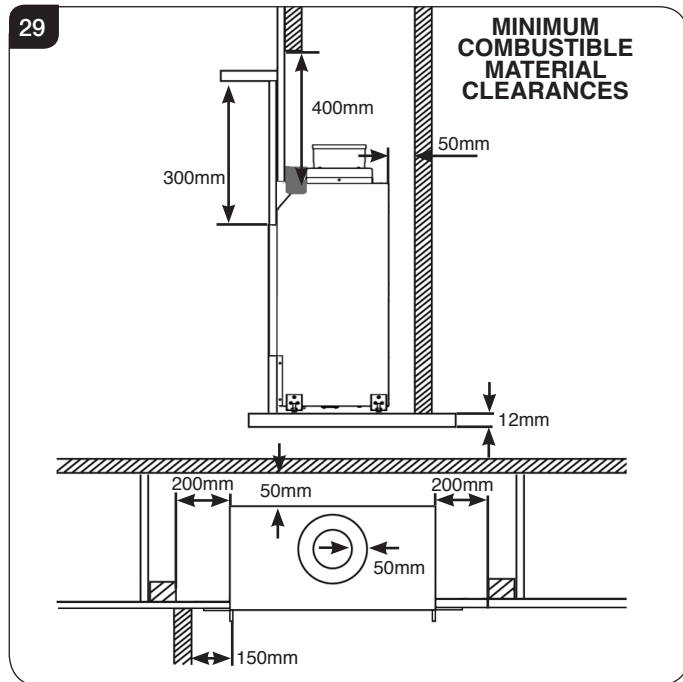


# Installation Instructions

## Installation Method 2

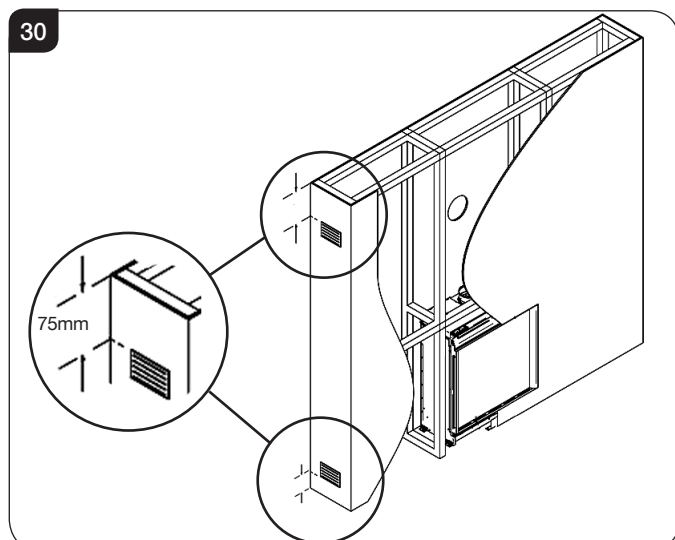
### 5.26 DISTANCE TO COMBUSTIBLE MATERIAL

COMBUSTIBLE PARTS OF THE STUDWORK MUST BE KEPT BEYOND THE MINIMUM DIMENSIONS SHOWN IN DIAGRAM 29. EVEN IF THE FRAMEWORK IS PROTECTED BY NON-COMBUSTIBLE MATERIAL, YOU MUST MAINTAIN THESE DIMENSIONS, SEE DIAGRAM 29.



5.27 DO NOT PACK THE VOID AROUND OR ABOVE THE APPLIANCE WITH INSULATION MATERIALS SUCH AS MINERAL WOOL.

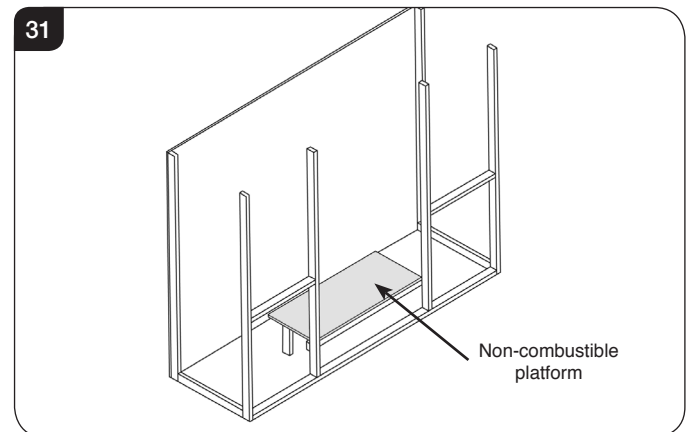
5.28 THE VOID BUILT FOR THE CASSETTE MUST BE VENTILATED TO PREVENT A BUILD-UP OF HEAT. IF THE VOID IS SEALED, THEN YOU MUST FIT VENTS AT BOTH LOW AND HIGH LEVELS OF A MINIMUM OF 50CM<sup>2</sup> EACH. THESE VENTS MUST TAKE COLD AIR FROM THE ROOM AND RETURN WARM AIR BACK INTO THE ROOM.



5.29 ALTERNATIVELY FOR THE HIGH VENTILATION THE ENCLOSURE CAN BE CONSTRUCTED TO LEAVE A GAP BETWEEN THE TOP OF THE WALL AND THE CEILING GIVING THE REQUIRED VENTILATION AREA OR GREATER.

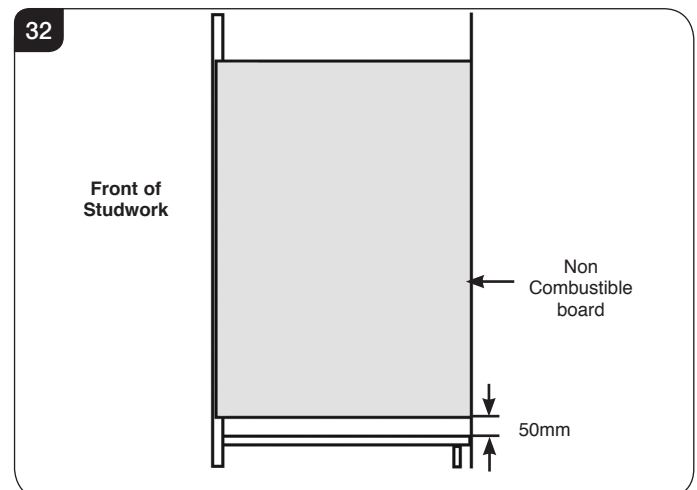
5.30 AN ACCESS HATCH MUST BE LEFT IN THE SIDE OF THE CHIMNEY BREAST FOR FUTURE SERVICING AND INSPECTION OF THE FLUE AND APPLIANCE.

5.31 Build the studwork chimney breast and enclosure to the desired size to include a 12mm non-combustible platform at the required height, see Diagram 31. Ensure that the clearances to combustible materials is maintained.



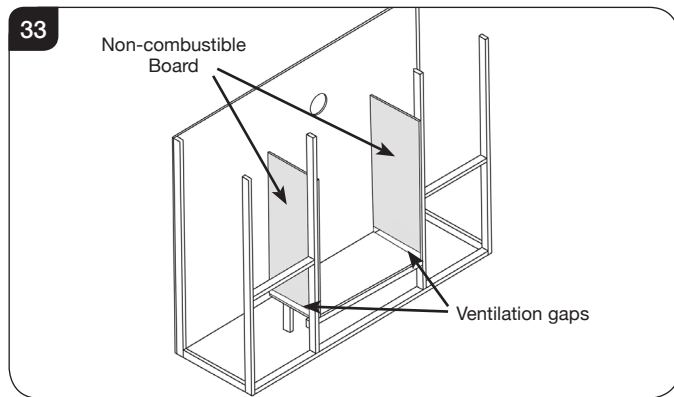
5.32 Line the aperture for the appliance with 12mm thick non-combustible material.

5.33 When fitting the cladding, there must be a gap of 50mm between the base and the non-combustible side boards to allow air circulation around the appliance vents, see Diagrams 32.

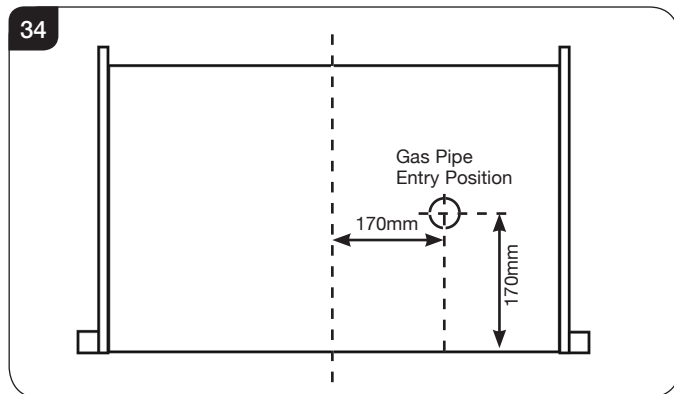


# Installation Instructions

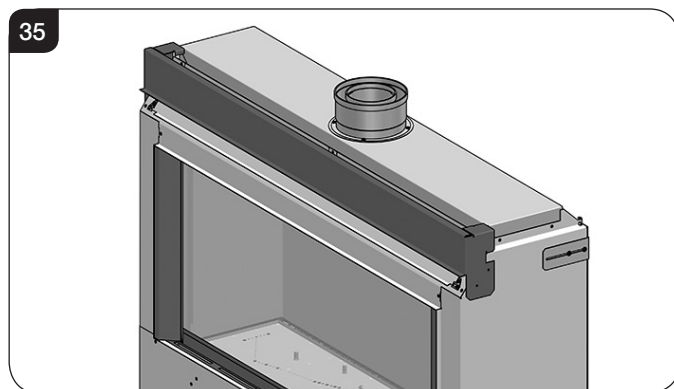
5.34 The 50mm gap allows the air to circulate into the enclosure and cool the appliance, see Diagram 33.



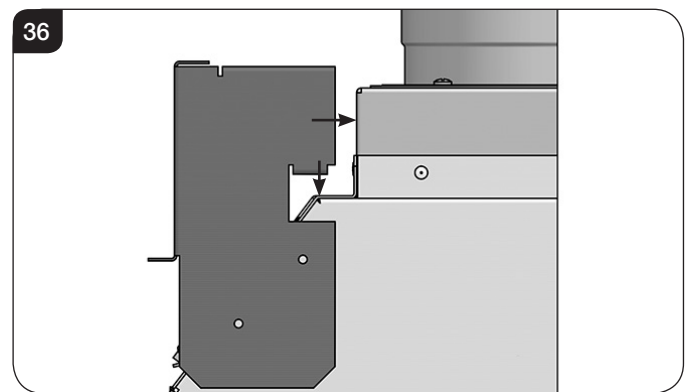
5.35 It will be necessary to provide gas to the underneath of the appliance. Cut a hole in the base in the position marked, see Diagram 34.



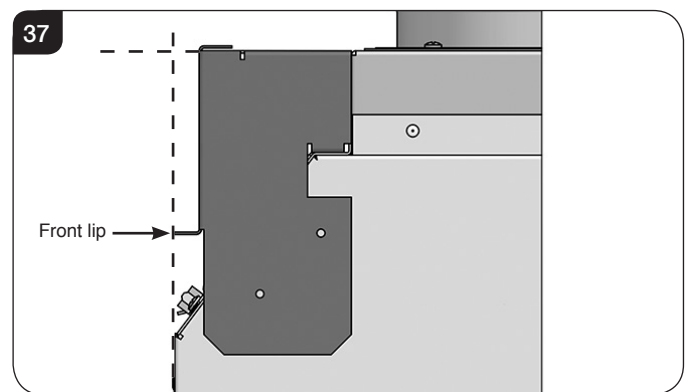
5.36 Fit the tile support bracket to the appliance before installation, see Diagram 35.



5.37 Line the sides of the tile bracket up with the edges of the Eclipse outer casing, see Diagram 36.



5.38 The rear folded return will sit on the top edges of the appliance below the flue exit. When correctly positioned the front lip of the bracket should be in line with the front face of the appliance and the bracket be level with the top of the airduct see Diagram 37.



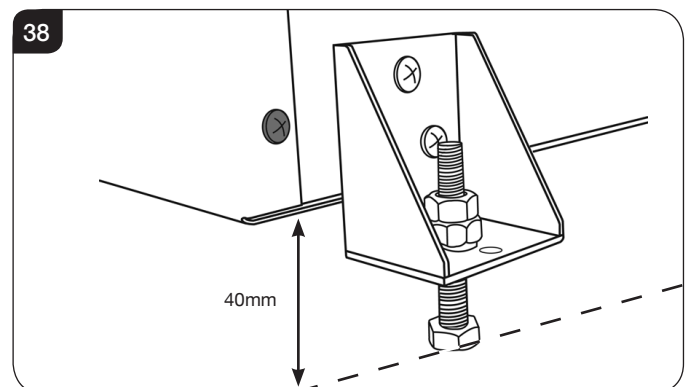
5.39 Mark tile bracket fixing holes.

5.40 Remove the bracket and make holes with a 3mm Ø.

5.41 Replace the bracket and secure at each side with self tapping screws.

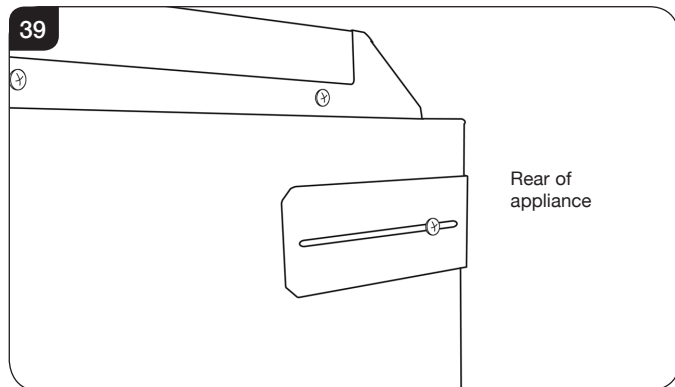
5.42 Place the appliance into position and level the feet on the platform with the adjustable screws on the base.

**IT IS VITAL TO ENSURE THE APPLIANCE HAS A 40MM CLEARANCE UNDERNEATH THE CASING TO ALLOW FOR AIR CIRCULATION, SEE DIAGRAM 38.**

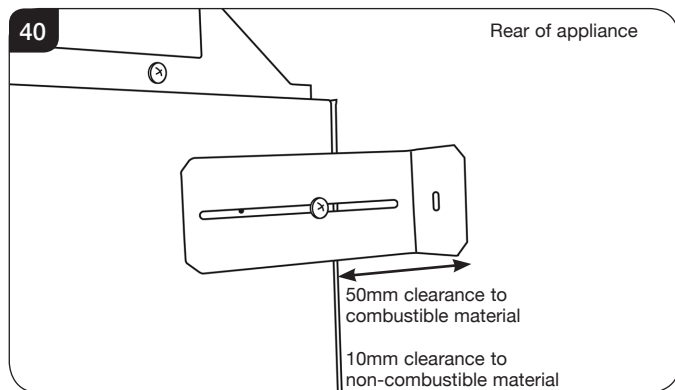


# Installation Instructions

- 5.43 Fixing brackets are attached to each side of the rear of the appliance by a screw, see Diagram 39.



- 5.44 Remove the screw and rotate the fixing brackets on the appliance so they can be fastened to the wall. Secure in the new position with the screw, see Diagram 40.

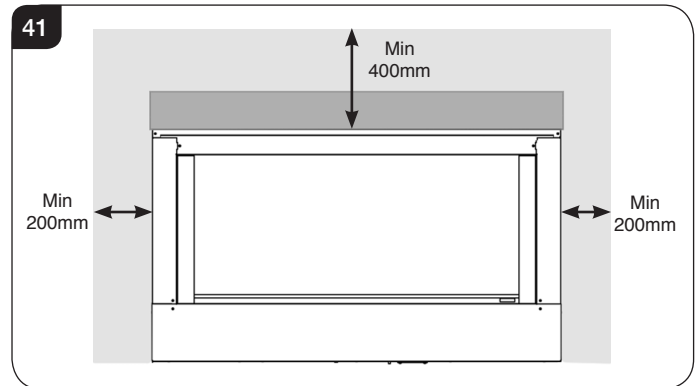


- 5.45 Ensure clearances are maintain behind the appliance and secure brackets to the rear wall, see Diagram 40.
- 5.46 Decide upon and cut the hole for the flue exit (see Site Requirements, Section 2).
- 5.47 Provide gas supply under the appliance as previously planned, see Diagram 34.
- 5.48 Provide electric services into the void on the left-hand side.

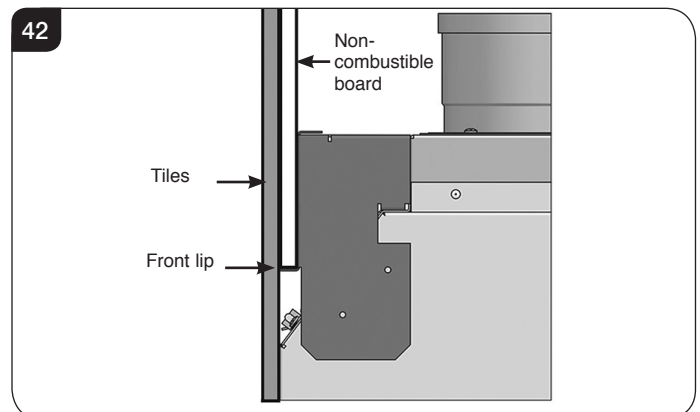
**i** It is necessary to be able to disconnect the appliance from the mains electrical supply after installation. This may be achieved by an accessible plug or by incorporating a switch into the fixed wiring in accordance with the rules in force.

- Fit non-combustible board to the studwork around the appliance. This should extend to a minimum of 400mm above, 200mm to the sides and to the base of the appliance, see Diagram 41.

Ensure distances to combustibles are observed, see Diagram 29.



- 5.49 Non-combustible board above the appliance will rest on the front lip of the tile support bracket leaving a gap of 50mm between the appliance flange and the start of the studwork enclosure.



- 5.50 Fit plasterboard to the remainder of the chimney breast.
- 5.51 Apply a heat resistant plaster around the appliance. This should extend to the minimum dimensions shown in Diagram 41.
- Ensure distances to combustibles are observed, see Diagram 29.

- 5.52 Apply a plaster finish to the remaining plasterboard.

### To finish the installation:

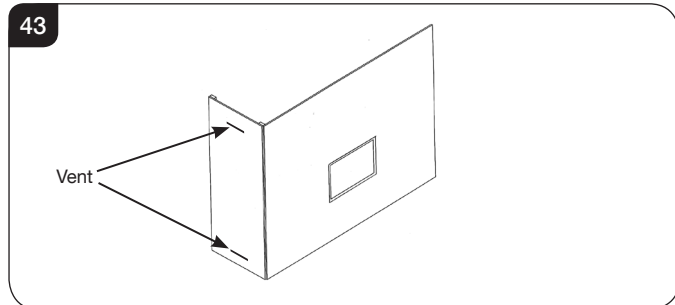
- 5.53 Connect the flue system, see Installation, Section 6.
- 5.54 Connect the wall box and batteries (Optional).
- 5.55 Connect the gas services using the opening in the side of the chimney breast for access.

# Installation Instructions

## After commissioning:

5.56 Finish the sides of the chimney breast, see Diagram 43.

Ensure that the void is ventilated, see 5.28.



## 6. Masonry Installation

The appliance can be installed into brick and block construction or chimney breast and finished with a plasterboard and skimmed finish.

This product can also be used in conjunction with the Gazco Chimney Renovation kit, see separate instructions for details.

There are two methods of installation available for the Eclipse:

**Installation Method 1:** This is a conventional Edge finish allowing for decoration up to the firebox opening to give a stylish minimalist finish or the installation of a decorative frame.

**Installation Method 2:** Is for use with the tiled wall kit (Gazco Part No. 999-117). This requires the fitting of a tile support bracket to allow a sleek Edge finish with large decorative tiles.

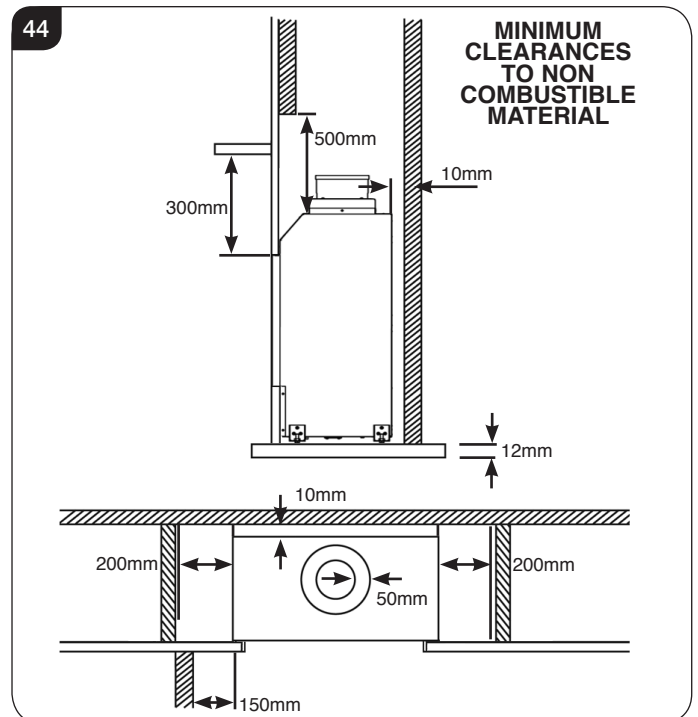
Please note it is essential to read and understand the chosen method of installation before attempt to fit the appliance.

## Installation Method 1

6.1 **Construction a Builder's opening to at least the minimum requirements on page 20.**

6.2 **DISTANCE TO NON COMBUSTIBLE MATERIAL**

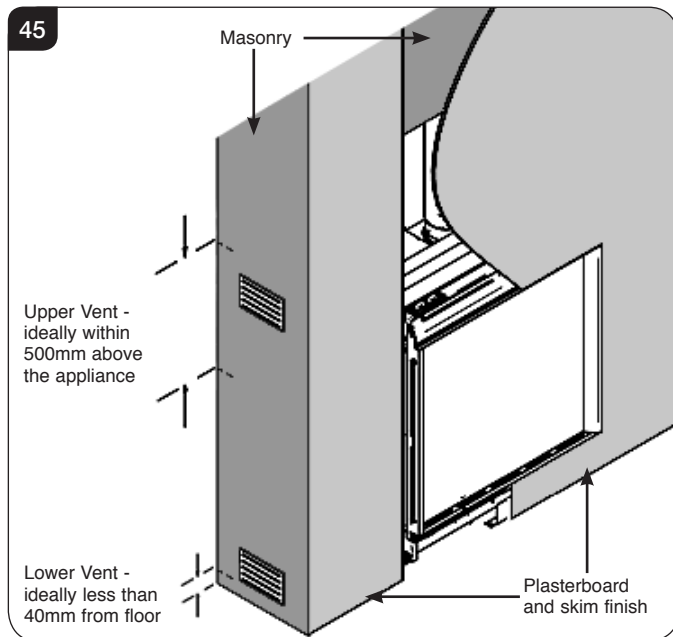
**EVEN IF INSTALLING IN A BLOCK WORK SETTING THE HOUSING FOR THE APPLIANCE MUST BE KEPT BEYOND THE MINIMUM DIMENSIONS SHOWN IN DIAGRAM 44. THIS APPLIANCE REQUIRES CONVECTION AIR TO TRAVEL AROUND THE OUTSIDE OF THE APPLIANCE TO HELP HEAT THE ROOM AND KEEP THE APPLIANCE COOL.**



6.3 **DO NOT PACK THE VOID AROUND OR ABOVE THE APPLIANCE WITH INSULATION MATERIALS SUCH AS MINERAL WOOL.**

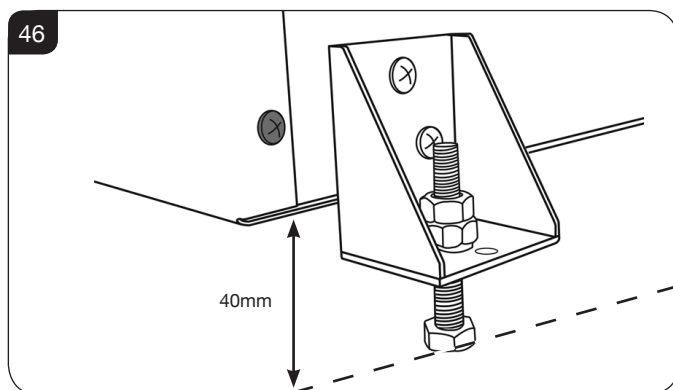
# Installation Instructions

- 6.4 **THE VOID BUILT FOR THE CASSETTE MUST BE VENTILATED TO PREVENT A BUILD-UP OF HEAT. IF THE VOID IS SEALED, THEN YOU MUST FIT VENTS AT BOTH LOW (IDEALLY LESS THAN 40MM FROM THE FLOOR) AND HIGH LEVELS (WITHIN 500MM FROM THE TOP OF THE APPLIANCE) OF A MINIMUM OF 50CM<sup>2</sup> EACH ON BOTH SIDES OF THE CHIMNEY BREAST. THESE VENTS MUST TAKE COLD AIR FROM THE ROOM AND RETURN WARM AIR BACK INTO THE ROOM.**

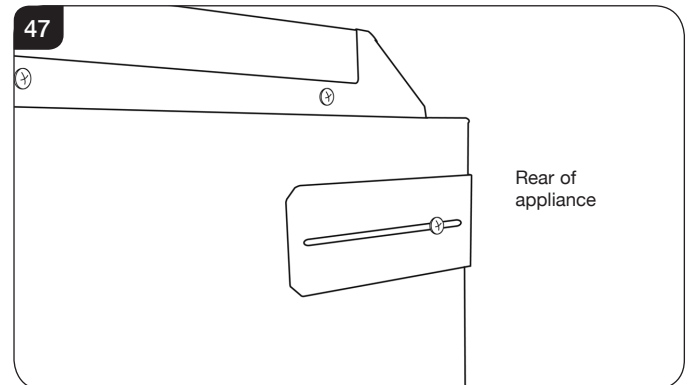


- 6.5 Place the appliance into position and level the feet on the platform with the adjustable screws on the base.

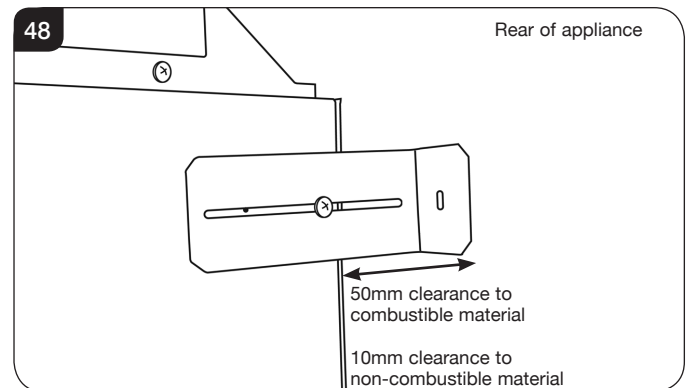
**IT IS VITAL TO ENSURE THE APPLIANCE HAS A 40MM CLEARANCE UNDERNEATH THE CASING TO ALLOW FOR AIR CIRCULATION, SEE DIAGRAM 46.**



- 6.6 Fixing brackets are attached to each side of the rear of the appliance by a screw, see Diagram 47.



- 6.7 Remove the screw and rotate the fixing brackets on the appliance so they can be fastened to the wall. Secure in the new position with the screw, see Diagram 48.



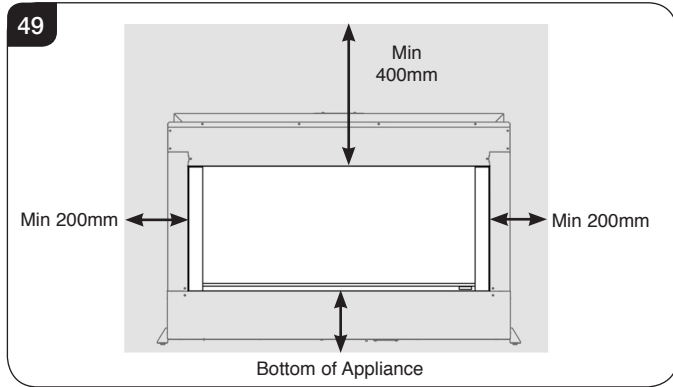
- 6.8 Ensure clearances are maintained behind the appliance and secure brackets to the rear wall, see Diagram 48.
- 6.9 Connect the flue system, see Installation, Section 7.
- 6.10 Provide gas supply under the appliance as planned.
- 6.11 Provide electric services into the void on the left-hand side.

**i** It is necessary to be able to disconnect the appliance from the mains electrical supply after installation. This may be achieved by an accessible plug or by incorporating a switch into the fixed wiring in accordance with the rules in force.

- 6.12 Connect the wall box and batteries (Optional).

# Installation Instructions

- 6.13 Fit non-combustible board to the studwork around the appliance. This should extend to a minimum of 400mm above, 200mm to the sides and to the base of the appliance, see Diagram 49.



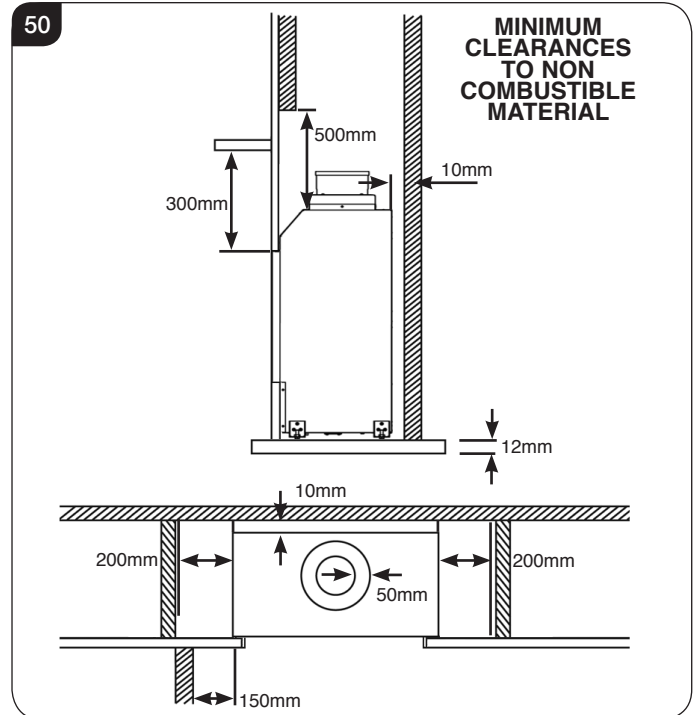
Drill through non-combustible board and into the front face of the metal. Secure board with screws to the front of the appliance.

- 6.14 Fit plasterboard to the remainder of the chimney breast.  
6.15 Apply a heat resistant plaster around the appliance. This should extend to the minimum dimensions shown in Diagram 49.  
6.16 Apply a plaster finish to the remaining plasterboard.

## Installation Method 2

- 6.17 Construction a Builder's opening to the at least the minimum requirements on page 20.  
6.18 **DISTANCE TO NON COMBUSTIBLE MATERIAL**

**EVEN IF INSTALLING IN A BLOCK WORK SETTING THE HOUSING FOR THE APPLIANCE MUST BE KEPT BEYOND THE MINIMUM DIMENSIONS SHOWN IN DIAGRAM 50. THIS APPLIANCE REQUIRES CONVECTION AIR TO TRAVEL AROUND THE OUTSIDE OF THE APPLIANCE TO HELP HEAT THE ROOM AND KEEP THE APPLIANCE COOL.**

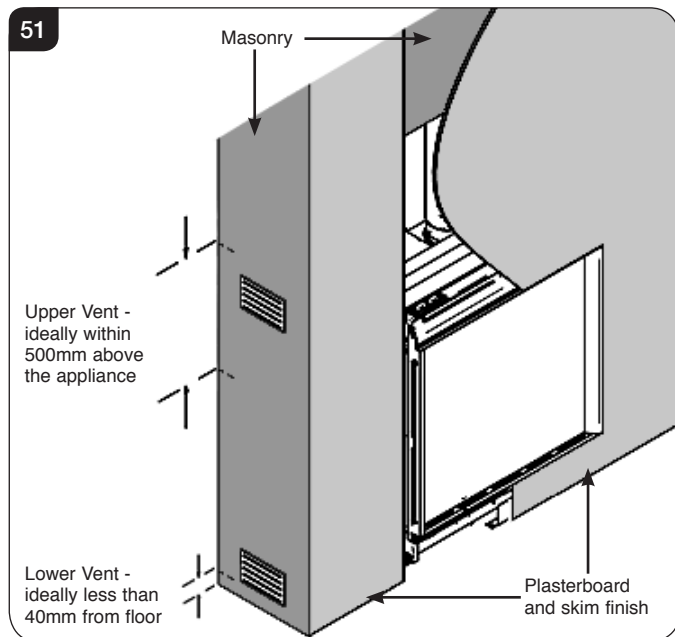


- 6.19 **DO NOT PACK THE VOID AROUND OR ABOVE THE APPLIANCE WITH INSULATION MATERIALS SUCH AS MINERAL WOOL.**

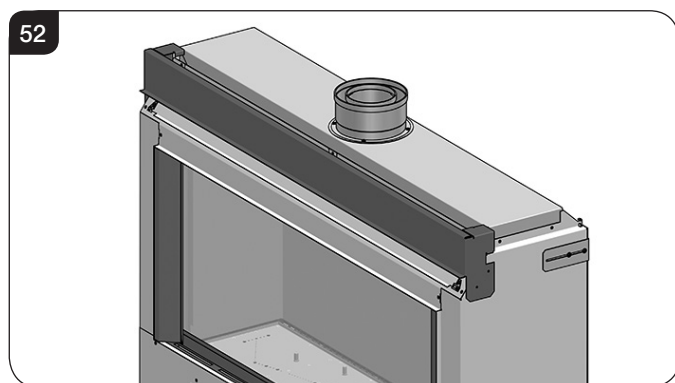


# Installation Instructions

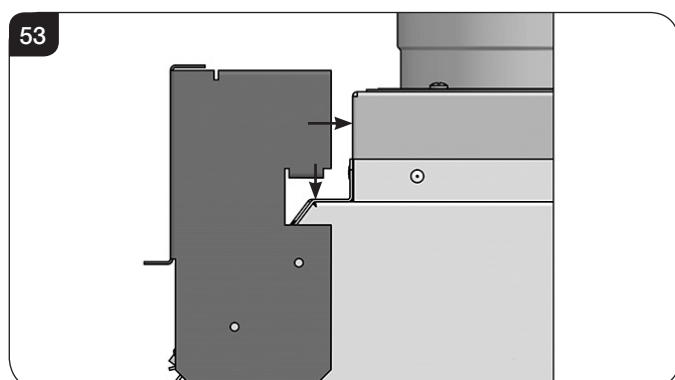
6.20 **THE VOID BUILT FOR THE CASSETTE MUST BE VENTILATED TO PREVENT A BUILD-UP OF HEAT. IF THE VOID IS SEALED, THEN YOU MUST FIT VENTS AT BOTH LOW (IDEALLY LESS THAN 40MM FROM THE FLOOR) AND HIGH LEVELS (WITHIN 500MM FROM THE TOP OF THE APPLIANCE) OF A MINIMUM OF 50CM<sup>2</sup> EACH ON BOTH SIDES OF THE CHIMNEY BREAST. THESE VENTS MUST TAKE COLD AIR FROM THE ROOM AND RETURN WARM AIR BACK INTO THE ROOM.**



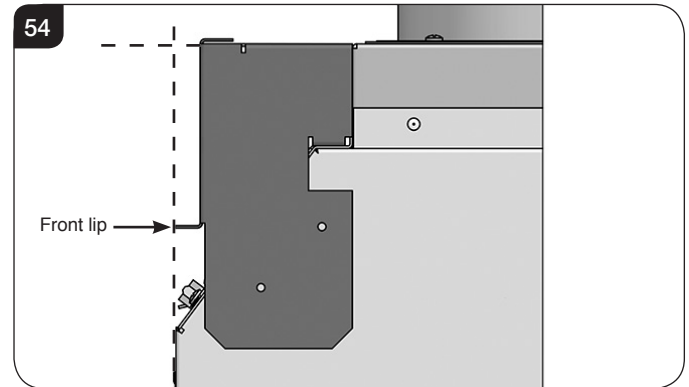
6.21 Fit the tile support bracket to the appliance before installation, see Diagram 52.



6.22 Line the sides of the tile bracket up with the edges of the Eclipse outer casing, see Diagram 53.



6.23 The rear folded return will sit on the top edges of the appliance below the flue exit. When correctly positioned the front lip of the bracket should be in line with the front face of the appliance and the bracket be level with the top of the airduct see Diagram 54.



6.24 Mark tile bracket fixing holes.

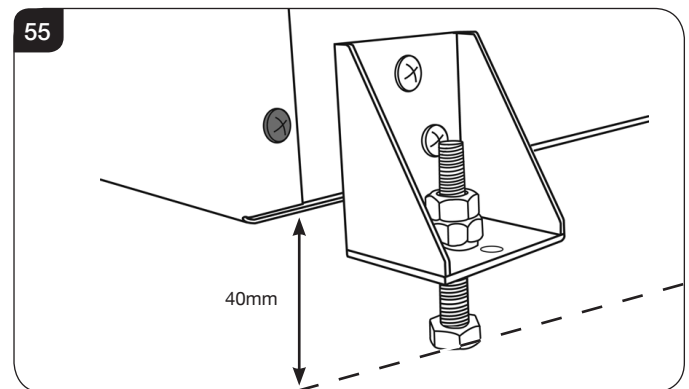
6.25 Remove the bracket and make holes with a 3mm Ø.

6.26 Replace the bracket and secure at each side with self tapping screws.

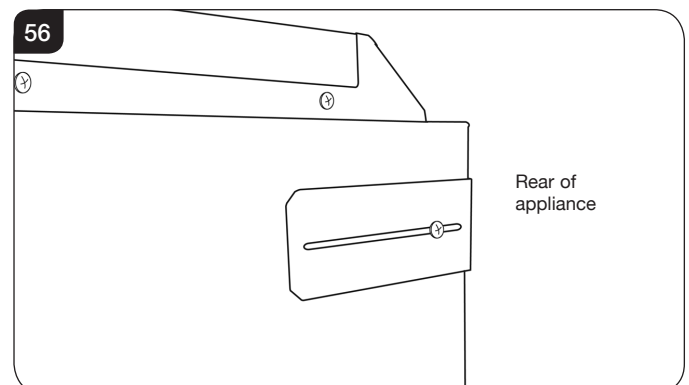
6.27 Place the appliance into position and level the feet on the platform with the adjustable screws on the base.



**IT IS VITAL TO ENSURE THE APPLIANCE HAS A 40MM CLEARANCE UNDERNEATH THE CASING TO ALLOW FOR AIR CIRCULATION, SEE DIAGRAM 55.**

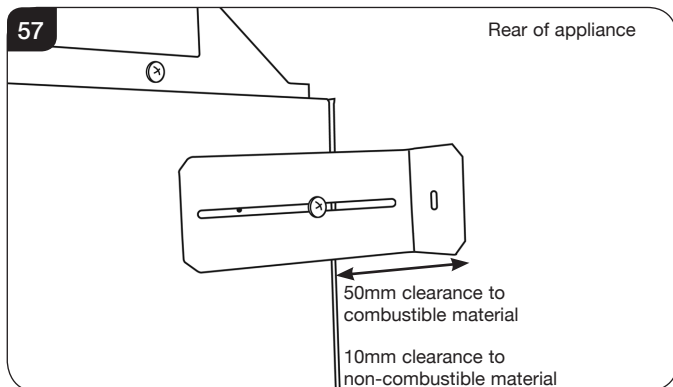


6.28 Fixing brackets are attached to each side of the rear of the appliance by a screw, see Diagram 56.



# Installation Instructions

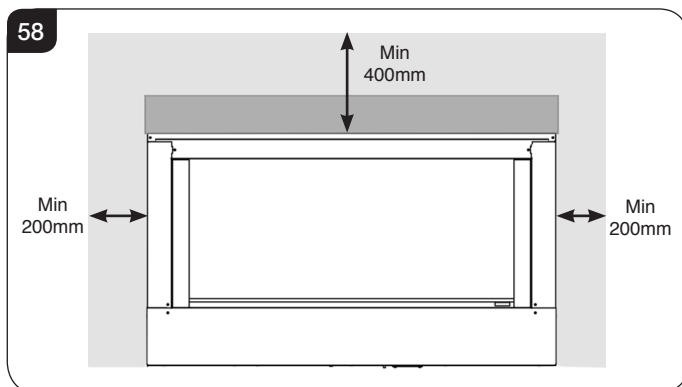
- 6.29 Remove the screw and rotate the fixing brackets on the appliance so they can be fastened to the wall. Secure in the new position with the screw, see Diagram 57.



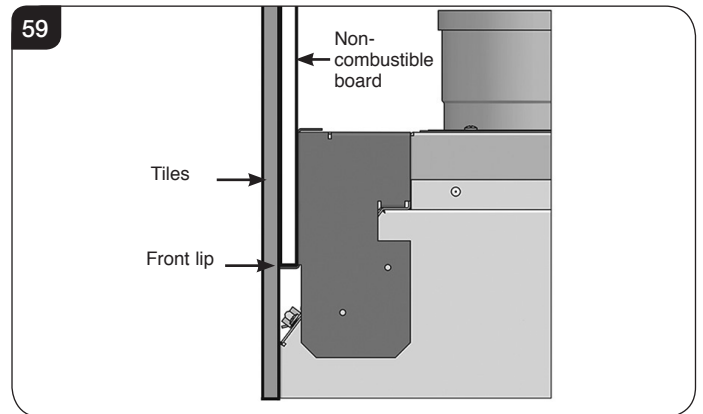
- 6.30 Ensure clearances are maintained behind the appliance and secure brackets to the rear wall, see Diagram 57.
- 6.31 Provide gas supply under the appliance as planned.
- 6.32 Provide electric services into the void on the left-hand side.

**i** It is necessary to be able to disconnect the appliance from the mains electrical supply after installation. This may be achieved by an accessible plug or by incorporating a switch into the fixed wiring in accordance with the rules in force.

- 6.33 Fit non-combustible board to the studwork around the appliance. This should extend to a minimum of 400mm above, 200mm to the sides and to the base of the appliance, see Diagram 58.



- 6.34 Non-combustible board above the appliance will rest on the front lip of the tile support bracket leaving a gap of 50mm between the appliance flange and the start of the studwork enclosure.

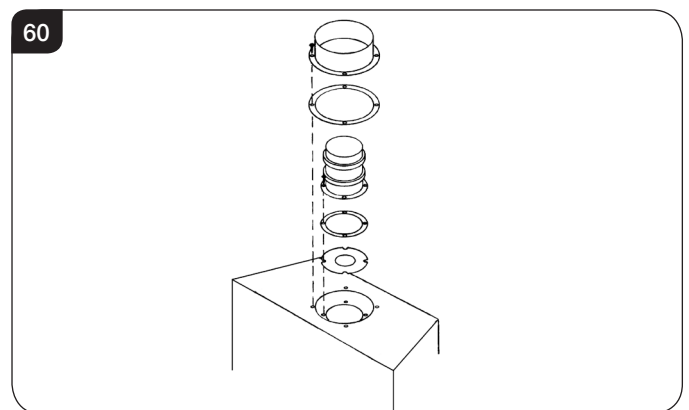


- 6.35 Fit plasterboard to the remainder of the chimney breast.
- 6.36 Apply a heat resistant plaster around the appliance. This should extend to the minimum dimensions shown in Diagram 58.
- 6.37 Apply a plaster finish to the remaining plasterboard.

## 7. Flue Assembly

- 7.1 See Site Requirements, Section 2, Flue Options.

**TAKE CARE WHEN MARKING OUT FOR THE FLUE AS IT IS DIFFICULT TO MOVE AFTER INSTALLATION. IF A RESTRICTOR IS REQUIRED FIT THIS BETWEEN THE SMALL OUTLET SPIGOT AND THE AIR DUCT SEE DIAGRAM 60. REFER TO TECHNICAL SPECIFICATIONS FOR RESTRICTOR SIZE.**



- 7.2 A 152mm (6") diameter hole in the wall is required to install the flue. This can be achieved by either:
- a) Core drill
  - b) Hammer and chisel
- 7.3 Drill small holes around the circumference when using method b) Make good both ends of the hole.
- 7.4 Allow enough room either above or to the side of the appliance to assemble the flue on top.

# Installation Instructions

7.5 Assemble a horizontal flue in the following order:

- Vertical section
- 90° elbow
- Horizontal plus terminal

7.6 Support the opening of a masonry installation with a lintel.

7.7 Only the horizontal terminal section can be reduced in size.

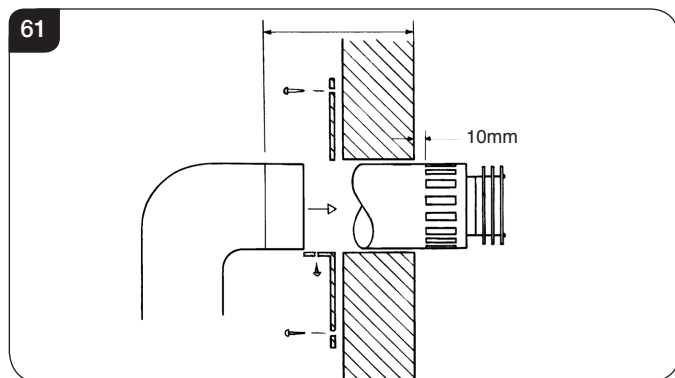
To find the length:

7.8 Measure from the outside of the wall to the stop on the 90° elbow.

7.9 **Add 10mm to the outlet end.**

7.10 Measure from the edge of the slots closest to the wall.

7.11 Mark around the flue, see Diagram 61.

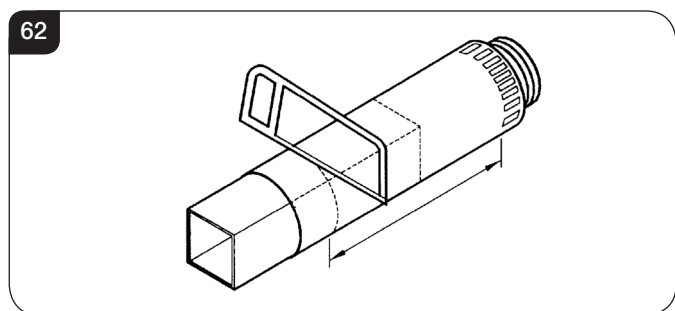


A wall plate is supplied to fix the flue to the wall:

7.12 Bend the tab to 90°.

7.13 Assemble the plate onto the flue but wait to secure to wall and flue after the flue is fully assembled.

7.14 The cardboard fitment in the terminal is used to support the flue whilst it is cut to length. **ONCE CUT TO SIZE, REMOVE THE CARDBOARD REMNANT**, see Diagram 62.



## TOP EXIT - VERTICAL FLUE

If a vertical only flue system has been purchased refer to Site Requirements, see Diagram 4.

The following areas need careful consideration:

- a) Terminal Positions
- b) Flue Supports
- c) Weatherproofing
- d) Fire Precautions

For all of the above, local and national codes of practice must be adhered to.

**TABLE A - TOP EXIT - VERTICAL ONLY, INCLUDING OFFSET**

| Vertical Height from Floor | Restrictor Size |
|----------------------------|-----------------|
| 3,000mm to 5,999mm         | 60mm Ø          |
| 6,000mm to 10,000mm        | 52mm Ø          |
| Flue temp                  | 400°C           |

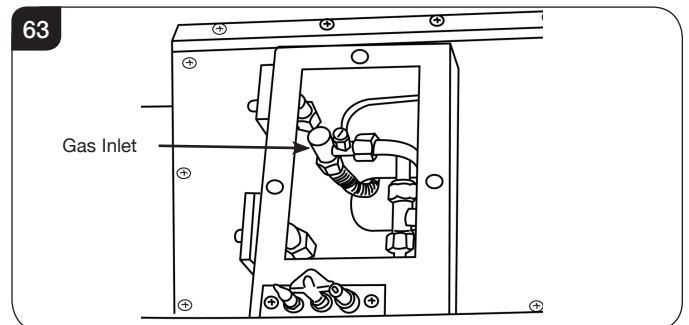
## 8. Gas Supply

8.1 Pass the elbow and supply pipe through the opening on the BASE of the appliance.

8.2 **PURGE THE SUPPLY PIPE.** This is essential to expel any debris that may block the gas controls.

8.3 Connect the elbow to the appliance inlet pipe, see Diagram 63.

8.4 Connect a suitable pressure gauge to the test point located on the inlet fitting, see Diagram 63.



## 9. Gas Soundness Pressure Check

9.1 Refit the burner unit but do not secure it, turn the gas supply on and perform a pressure drop test to check for leaks in the installation.

9.2 Light the appliance, turn to maximum and check that the supply pressure is as stated on the databadge.

9.3 Turn the gas off and replace the test point screw, turn the gas on and check the test point for leaks.

9.4 Replace access panel.

9.5 Check the function of the handset, if there is no communication between the remote control and the appliance, see Commissioning Section.

# Installation Instructions

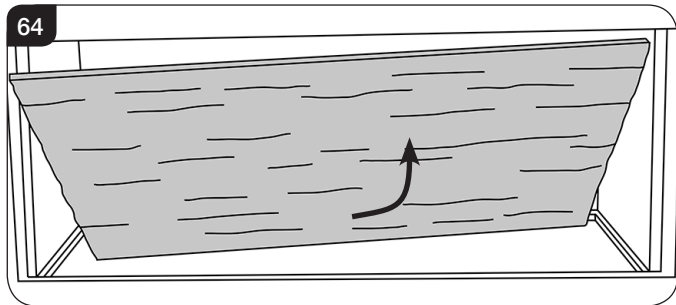
## 10. Assembling the appliance

- 10.1 Replace the main burner, see Replacing Parts, Section 4.
- 10.2 Connect the mains supply plug.
- 10.3 Carefully follow the relevant section to refit the liners:

### 10a. Ledgestone Effect Liners

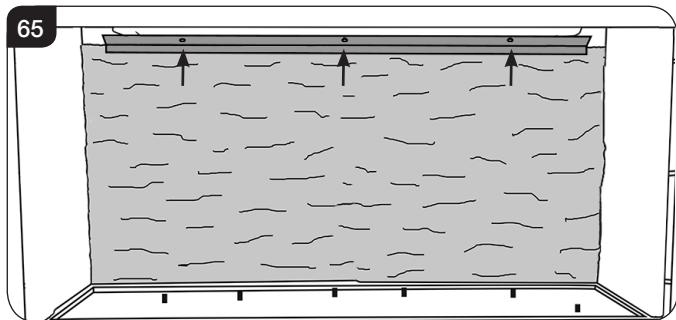
**!** The lower edge of the Ledgestone effect liners is thinner than the top. When fitting ensure that the thinner edge is positioned at the bottom of the firebox.

- 10a.1 Carefully fit the back liner by leading with the bottom edge and twisting slightly to insert through the front of the appliance. Locate behind the burner tray and stand the liner up against the back of the firebox, see Diagram 64. **Take care not to damage the liner.**



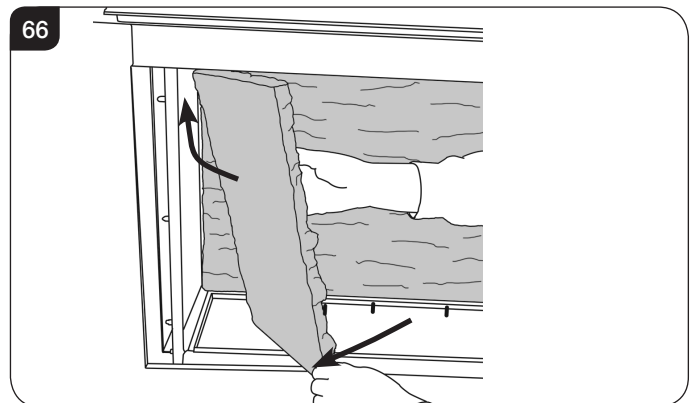
- 10a.2 The back liner is held in place by a bracket.

- 10a.3 Position the bracket and secure with the 3 screws, see Diagram 65.

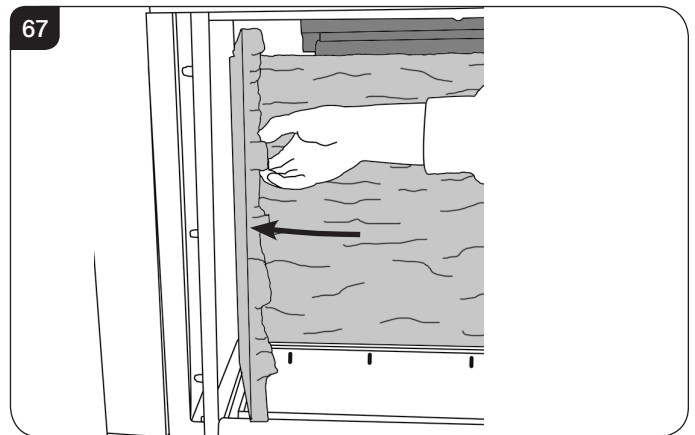


- 10a.4 The side liner panels are labelled left and right. It is essential to ensure the correct liner is used for each side to allow the brick effect to interlock.

- 10a.5 Insert the panel at an angle and twist so the furthest edge rests on the side supports, see Diagram 66.

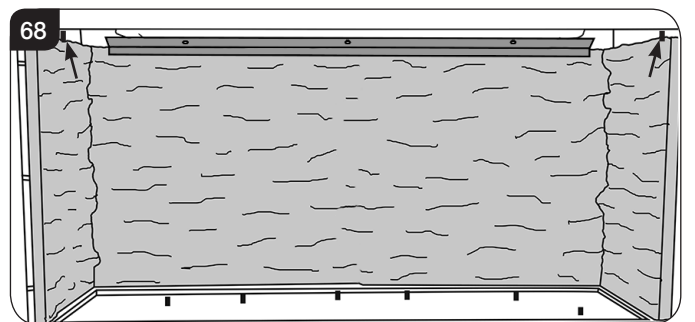


- 10a.6 Hold the liner by the edge and push flat against the side of the appliance. Slide the panel on the support and the brick effect can lock with the back liner, see Diagram 67. **Take care not to damage the liner.**



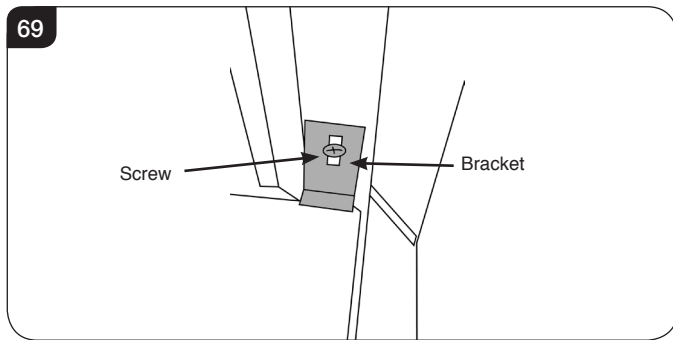
- 10a.7 Repeat for the other side.

- 10a.8 The side liners are held in place by 2 brackets, see Diagram 68.



# Installation Instructions

10a.9 Position the brackets and secure with the screws supplied, see Diagram 69.

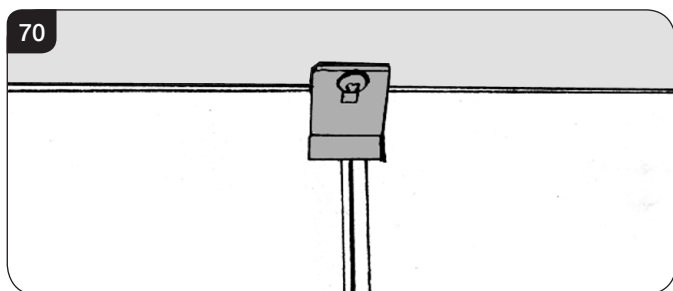


10a.10 Proceed to 10.4.

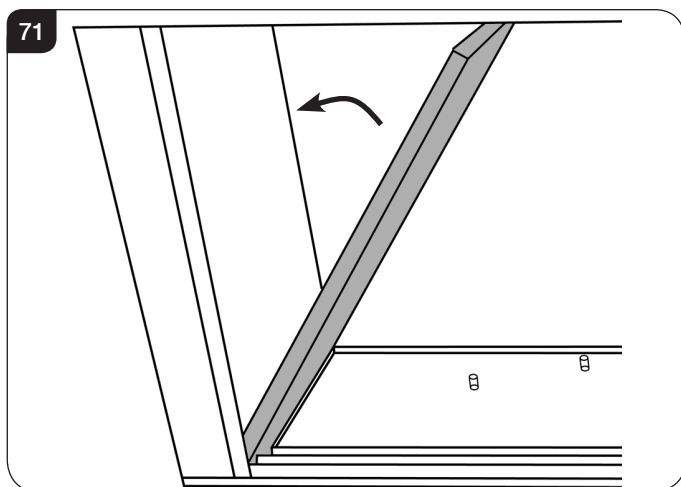
## 10b. Black Reeded Liners

10b.1 Fit the back liners side by side on the ledge at the back of the firebox and make sure there is no gap in the centre of the effect.

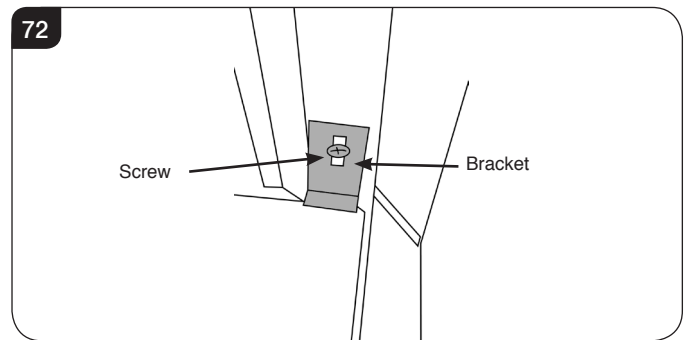
10b.2 Secure in place with the bracket at the top of the firebox, see Diagram 70.



10b.3 Once the back panels are in place feed the side panels through the front of the firebox at an angle and stand upright, see Diagram 71.



10b.4 Secure the side panels with the brackets at the top. **These will need to be loosened and rotated before panels are fitted.**

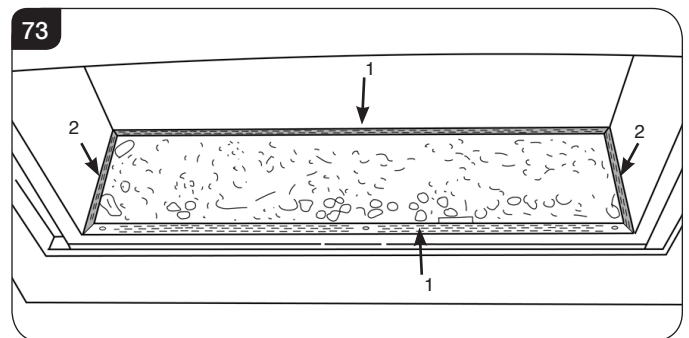


10b.5 Proceed to 10.4.

## All Models

10.4 Fit the rear and front slotted trims (1), see Diagram 73.

Fit the side trims (2).



# Installation Instructions

## 11. Arrangement of the fuel bed

### Advice on handling and disposal of fire ceramics



The side liners and fuel effects in this appliance are made from Refractory Ceramic Fibre (RCF), a material which is commonly used for this application.

Protective clothing is not required when handling these articles, but we recommend you follow normal hygiene rules of not smoking, eating or drinking in the work area and always wash your hands before eating or drinking.

To ensure that the release of RCF fibres are kept to a minimum, during installation and servicing a HEPA filtered vacuum is recommended to remove any dust accumulated in and around the appliance before and after working on it. When servicing the appliance it is recommended that the replaced items are not broken up, but are sealed within heavy duty polythene bags and labelled as RCF waste.

RCF waste is classed as stable, non-reactive hazardous waste and may be disposed of at a licensed landfill site.

Excessive exposure to these materials may cause temporary irritation to eyes, skin and respiratory tract; wash hands thoroughly after handling the material.

### 11.1 Vermiculite for Logs Layout

Use the entire bag of supplied Vermiculite.  
**TAKE CARE NOT TO SPILL VERMICULITE INTO THE PILOT AREA. ONLY VERMICULITE SUPPLIED BY GAZCO SHOULD BE USED IN THIS APPLIANCE.**

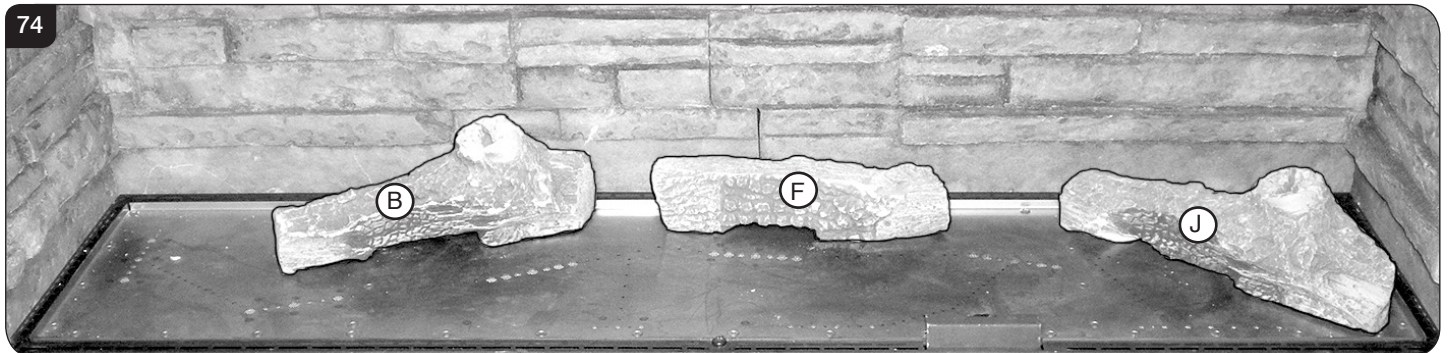
## 12. Log Layout

**LOGS MUST BE POSITIONED ACCORDING TO THE FOLLOWING INSTRUCTIONS TO GIVE THE CORRECT FLAME EFFECT**

All logs can be identified by a letter (A - J) on their underside.

Note: There are 2 identical logs identified by the letter D.

12.1 The first 3 logs B, F and J, also have holes to locate each onto burner studs. Working from left to right places logs B, F and J onto their studs as illustrated in Diagram 74.



# Installation Instructions

- 12.2 Use all the vermiculite to fill the burner tray, surrounding the logs. Spread evenly across the whole burner, see Diagram 75.

DO NOT spread vermiculite on the trims surrounding the burner.



Diagram 76 shows the layout of logs A, H, the first Log D and the 2 larger embers.

- 12.3 Place Log A on the left hand side of the burner with the large branch resting against the back liner approximately 50mm from the left side liner and with the small branch resting on Log B. The front of Log A rests in line with the front of the burner approximately 50mm from the side liner.
- 12.4 The left end of Log D rests on Log B to the right of the wood knot and against the back panel. The right end rests on the burner with the small branch in line with the front of the burner.

- 12.5 Place Log H in line with the back edge of the burner between Logs F and J.

- 12.6 Place 1 large ember toward the back left of the burner, behind Log B. Place the second large ember onto the left hand side of Log F.

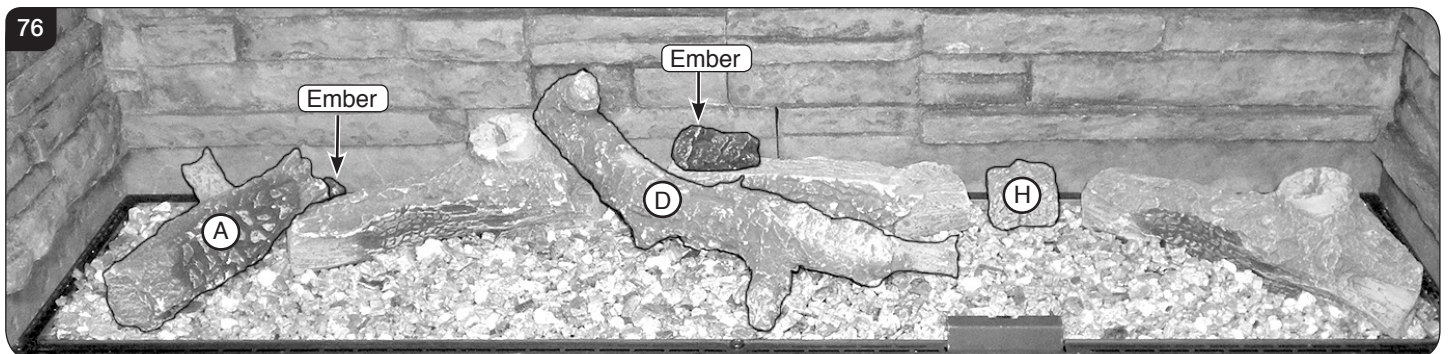
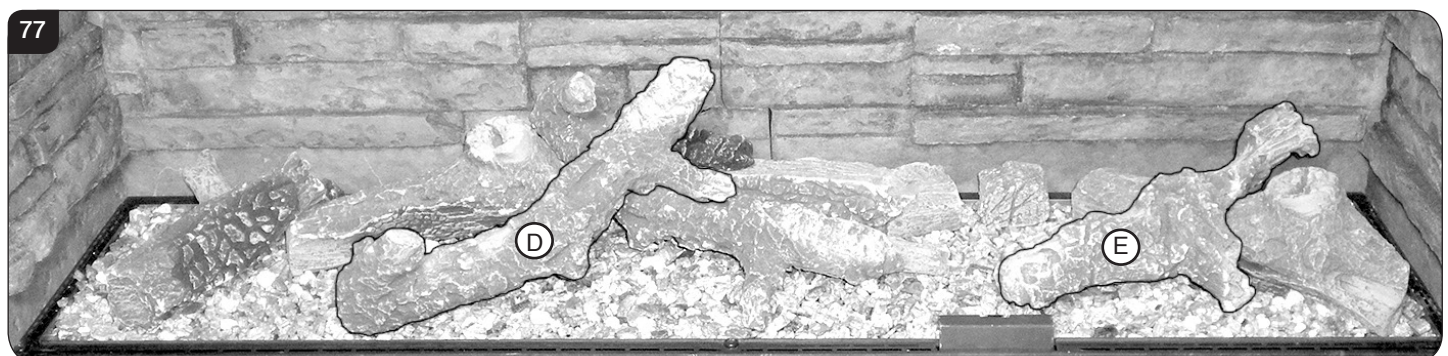


Diagram 77 shows the layout of logs E and the second Log D.

- 12.7 Place the second Log D across the first Log D with the thin end of the log resting against the centre of the back liners.

The left side rests against the front edge of the burner.

- 12.8 Place the thin end of Log E across Log J snugly against the left hand side of the knot with the small branch up against the front face of Log J. Rest the left hand side of Log E just behind the pilot area. **Ensure that the log does not protrude into the pilot area.**



# Installation Instructions

Diagram 12 shows the layout of logs G and I.

12.9 The back end of Log G rests on Log F against the rear liner. The centre of the log rests across Log D with the front resting on Log E. The front of the log should align with the pilot aperture.

12.10 There is no specific orientation for Log I. Place the back of Log I on Log B to the left hand side of the knot. Rest the front of Log I on the second Log D to the right hand side of the branch.



12.11 The left hand side of the Log C locates in an indent in Log G. Rest the right hand side of the log on Log J with the bend resting against the back panel.

Ensure that the left hand side of Log C does not protrude past the front face of Log G.



12.12 Separate the Embaglow material into smaller pieces and pull into shape to create a fine layer.

12.13 Sparingly place the pieces of Embaglow between the logs in the highlighted areas shown in Diagram 14. Ensure the material is placed loosely between the logs to create a random glow.

Take care not to use more than half a packet per application.

**WARNING - DO NOT PLACE NEAR THE PILOT AREA.**

**NOTE: LPG and Nat Gas models require different layouts for the placement of the Embaglow, ensure that the correct layout is followed.**

NOTE: This material will last approximately 500 hours burning. It is a consumable part and should be replaced when necessary. It can be purchased from your local dealer, Part No. GZ8471.





# Installation Instructions

12.14 Place the 5 medium embers into the 4 corners of the fuelbed and one under the second Log D, see Diagram 81.

12.15 Place the small embers along the front of the fuelbed and the left hand side of Log A, see Diagram 81.



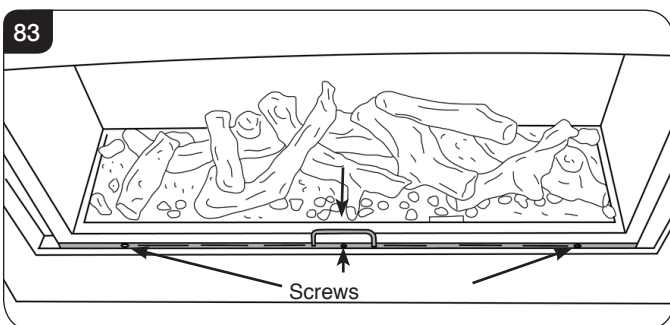
## 13. Completion of assembly

To fit the glass frame:

13.1 Position so the hooks on the back of the frame fit over the side pins, see Diagram 82.



13.2 Push the handle down.



13.3 Replace the screws. As the screws are tightened the glass frame is pulled down against the hooks and forms a seal. **Replace ALL of the securing screws ensuring that a screw is present in all fixing slots.**



**UNDER NO CIRCUMSTANCES SHOULD THE APPLIANCE BE USED IF ANY OF THE GLASS FRAME RETAINING SCREWS ARE LOOSE OR MISSING.**

13.4 Replace the slotted trim onto the brackets to cover the gap at the bottom of the window. The louvres point forwards.

13.5 Replace the 2 magnetic side trims.

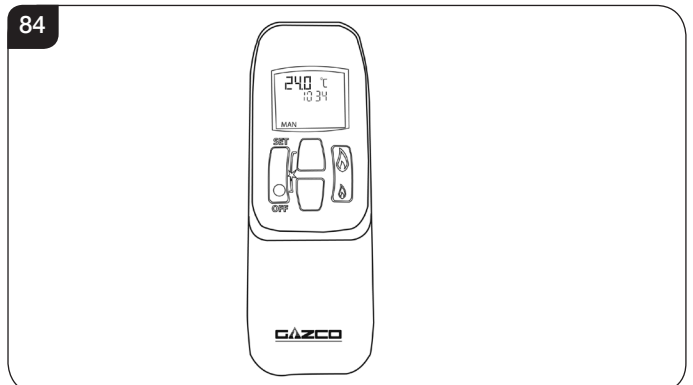
**NEVER OPERATE THE APPLIANCE WHEN THE GLASS PANEL IS REMOVED OR BROKEN.**

13.6 Replace the decorative front by referring to the separate instructions supplied with the front.

**NOTE: ENSURE THAT THE LOGS ARE POSITIONED CORRECTLY, SEE SECTION 12. ONLY USE THE CORRECT AMOUNT OF LOGS AS SPECIFIED IN THE DIAGRAMS.**

## 14. Lighting the Appliance

The appliance is operated by thermostatic remote control.



This remote controls the appliance from pilot ignition through to shut down.

In 'MANUAL MODE' you can:

- light the pilot
- turn on the main burner
- regulate the flame from low to high and back
- turn off the burner leaving just the pilot burning

In 'TEMP MODE' you can:

- set the room temperature so the stove automatically maintains that temperature

# Commissioning

In 'TIMER MODE' the fire:

- turns on and off according to the set time periods
- automatically regulates the room temperature during the set periods

## 14.1 Turning the appliance On

Your remote can control the gas fire from pilot ignition through to shut down.

To turn the fire on press the OFF button and the UP button simultaneously. You hear several short signals.

**The pilot and main burner ignite and the remote is now in Manual Mode:**

### Turning the appliance Off:


Press the OFF button to turn the appliance off  
**FOR SAFETY, YOU MUST WAIT 30 SECONDS BEFORE LIGHTING THE FIRE AGAIN.**

 **IMPORTANT: YELLOW FLAMES TYPICALLY APPEAR WHEN THE APPLIANCE HAS REACHED NORMAL OPERATING TEMPERATURE. THIS CAN TAKE UP TO 30 MINUTES.**

 **WARNING: IF THE APPLIANCE FAILS TO LIGHT OR BECOMES EXTINGUISHED IN USE, WAIT 3 MINUTES BEFORE ATTEMPTING TO RELIGHT.**

**FOR FULL OPERATING INSTRUCTIONS AND TROUBLESHOOTING SEE USER SECTION.**

## Troubleshooting

 **IMPORTANT: In the unlikely event that the handset fails to communicate correctly with the appliance it may be necessary to turn off the gas supply at the isolation valve until any problems can be resolved.**

The gas meter and isolation valve can be located outside in a meter box, under the stairs, beneath the kitchen sink or in the garage. Whilst this list is not exhaustive, it is important to be able to identify the location of the valve in case of any gas emergency.

To turn off the gas supply, simply turn the handle so the lever is at 90 degrees to the upright gas pipe.

If you smell gas, open doors and windows and never operate any electrical switches. Immediately call the Gas Emergency Services on 0800 111 999.

## 1. Commissioning

- 1.1 Complete the Commissioning Checklist at the front of this manual covering:
  - Thermocouple soundness checks.  
This is to include ensuring the thermocouple is secure on the pilot bracket assembly, lead connection and integrity.
  - Flue checks
  - Gas checks
  - Log layout - flame picture

For working pressure test, use the access panel at the gas connection ensuring the burner is in position.
- 1.2 Ensure all safety checks listed in the Commissioning Section are completed, paying particular attention to the glass panel checks and securing of the glass frame.
- 1.3 Upon completion of the commissioning and testing of the installation and correct operation of the appliance, the installer must instruct the user how to operate the appliance.
- 1.4 Guide the user through the User Instructions paying particular attention to:
  - a) Regular servicing (Section 8 of the User Instructions).
  - b) Ventilation (Section 9 of the User Instructions) - point out the ventilation positions where applicable.
  - c) Hot surfaces (Section 11 of the User Instructions).
  - d) How the appliance works with the remote control handset and the modes of operation (Section 2 of the User Instructions).
  - e) How to change settings in the auto mode and program modes of operation.
  - f) What to do if the appliance fails to operate (Section 12 of the User Instructions).

### Reprogramming handset/Control box

To access the control box see Servicing Instructions, Section 5 - Main Control Assembly.

- Press and hold the reset button on the control box until you hear two signals. After the second longer signal:
- Release the reset button and within 20 seconds.
- Press the DOWN button on the handset until you hear two additional short signals confirming the new code is set. If there is a single long signal the code learning sequence has failed or the wiring is incorrect.

# Servicing Instructions

## Servicing/Fault Finding Charts

### 1. Servicing Requirements

**IMPORTANT** – The glass panel on this appliance should be checked for any signs of damage on the front face of the glass panel (scratches, scores, cracks or other surface defects). If damage is observed, the glass panel must be replaced and the appliance must not be used until a replacement is installed. Under no circumstances should the appliance be used if any damage is observed. Please isolate the appliance until a replacement glass panel has been obtained and installed. Replacement glass panels can be purchased from Gazco via the dealer from which the appliance was purchased or any other Gazco distributor. This appliance must be serviced at least once a year by a competent person.

All tests must be carried out in accordance with the current GasSafe recommendations.

- 1.1 Before any tests are undertaken on the appliance:
  - Conduct a gas soundness test for the property to ensure there are no gas leaks prior to starting work
  - Fully check the operation of the appliance
- 1.2 Special checks
  - Clean the burner using a vacuum cleaner with a soft brush attachment. Ensure all debris is removed from the burner ports
  - Clean any lint or fluff from the pilot - pay particular attention to the aeration holes of the pilot

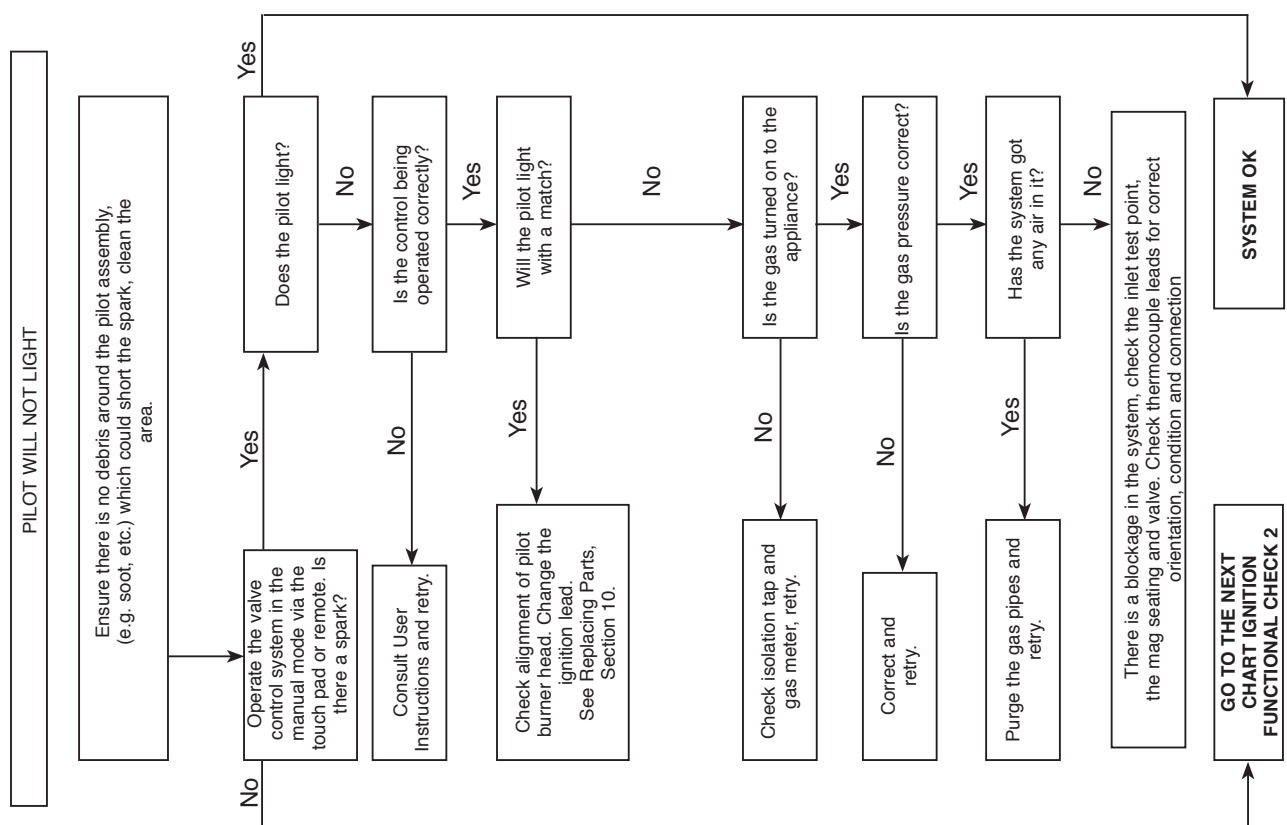
- Clean away any fluff or lint from under the burner
- Check the spark gap on the pilot is correct
- Ensure that the glass frame is secured correctly and that all retaining screws are in place

- 1.3 Correct any faults found during the initial tests.
- 1.4 Re-commission the appliance in accordance with Commissioning Procedures of these instructions.
- 1.5 Advise the customer of any remedial action taken.

#### Electronic Control Valve Fault Analysis

| Symptom  | Cause   | Remedy   |
|--|---|--|
| Frequent beeps for 3 seconds after operation request                             | Batteries low in appliance                                | Replace appliance batteries  |
| No ignition, 5 second continuous tone (there may be several short beeps before)  | Loose/damaged wire  | Check interrupter block and wires                                  |
| No ignition, no tone, motor turns slightly when operated                         | Receiver board damaged                                    | Replace receiver   |
| No pilot flame and control continues to spark                                    | Thermocouple circuit wired incorrectly                    | Correct wiring   |
| Pilot lights, control continues to spark, valve shuts down after 10 - 30 seconds | 1. No spark at pilot burner<br>2. Loose/damaged wire      | 1. Rectify spark at pilot burner<br>2. Check interrupter and wires |
| Side burner can not be turned off - valve can be heard to operate.               | Faulty Solenoid Valve                                     | Replace Solenoid Valve   |
| Side burner can not be turned off - no beep or noise from solenoid               | 1. Faulty wire/ wire not connected.<br>2. Faulty receiver | 1. Replace wire/ solenoid.<br>2. Replace receiver                  |

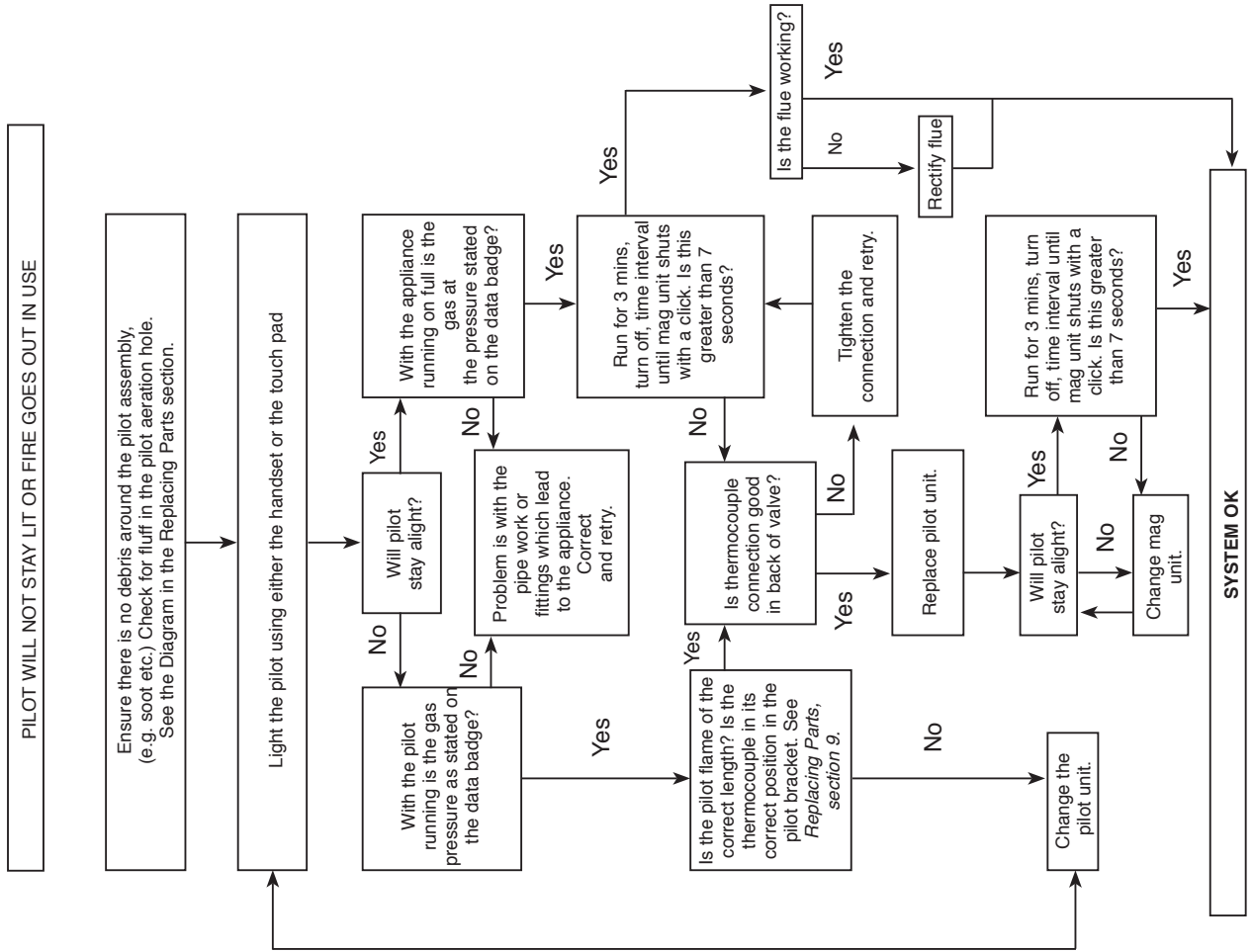
### IGNITION FUNCTIONAL CHECK 1



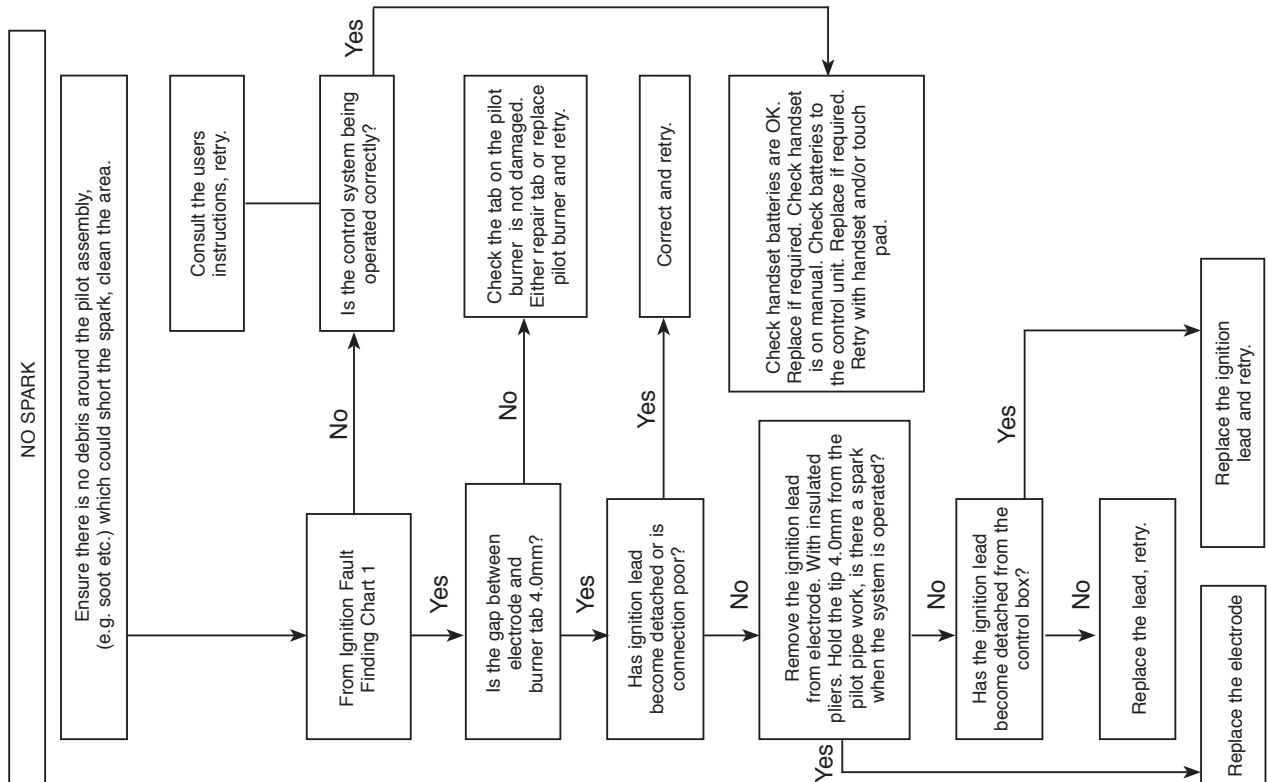
# Servicing Instructions

## Fault Finding Charts

### FLAME FAILURE FUNCTIONAL CHECK 3



### IGNITION FUNCTIONAL CHECK 2



# Servicing Instructions - Replacing Parts

## 1. General

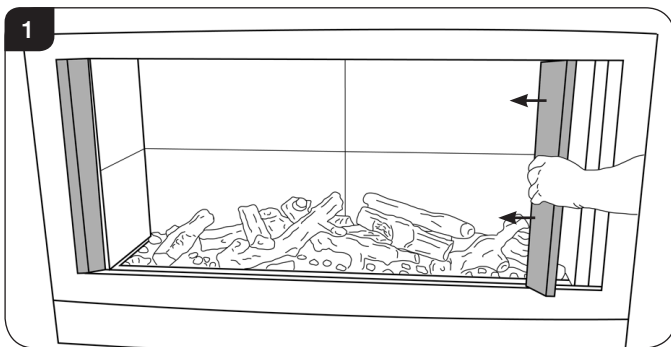
- 1.1 All main components can be replaced without removing the appliance from its installation.
- 1.2 **DISCONNECT MAINS ELECTRICAL SUPPLY AT THE ACCESSIBLE PLUG OR DEDICATED SWITCH BEFORE SERVICING THE APPLIANCE.**
- IT IS ESSENTIAL THAT THE GAS SUPPLY TO THE APPLIANCE IS TURNED OFF AT THE ISOLATION DEVICE BEFORE PROCEEDING FURTHER.**
- 1.3 If, for any reason, the flue has to be removed from the appliance, the seal must be replaced in the inner spigot.

## 2. Window Frame Assembly

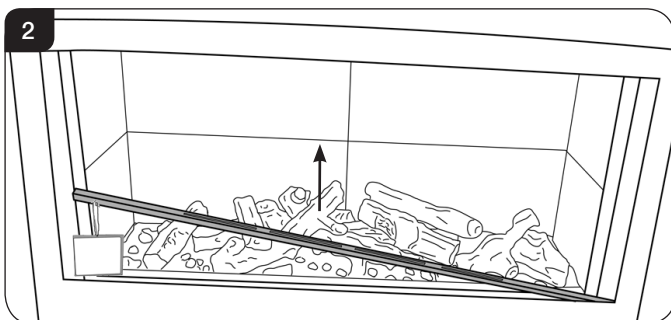
**i** It is possible to remove the glass frame and service some aspects of this appliance without having to remove the decorative front (if fitted).

For extensive servicing it is advisable to remove the frame and place carefully to one side to avoid damage.

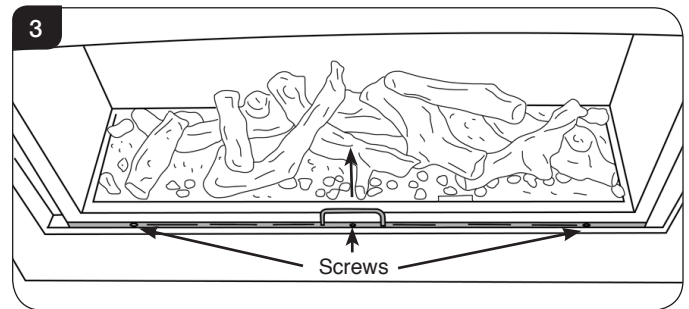
- 2.1 If a decorative front has been fitted to the appliance, please remove by referring to the separate instructions supplied.
- 2.2 Remove the glass frame by removing the 2 side trims, see Diagram 1. These are held on by magnets.



- 2.3 Lift out the bottom slotted trim, see Diagram 2. Note the orientation of the metal shield for reassembly.

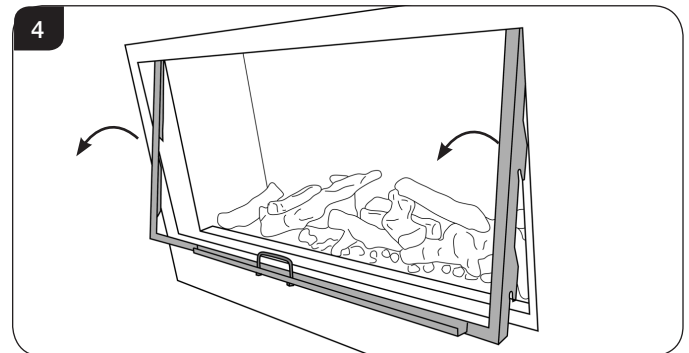


- 2.4 Remove the 3 screws at the base of the door, the centre screws is located under the handle, see Diagram 3.

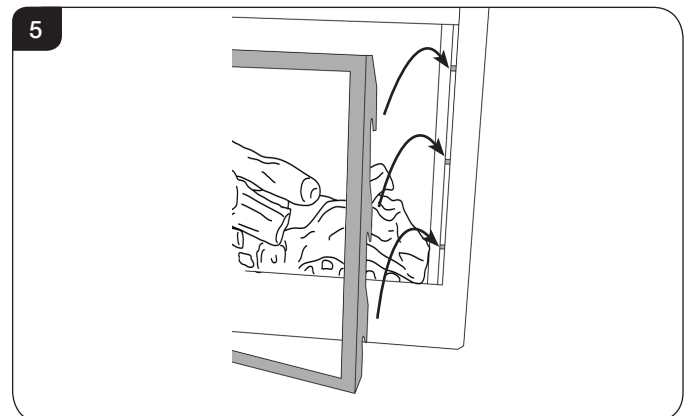


- 2.5 Pull up the handle at the front, see Diagram 3.

- 2.6 Whilst supporting the top, lift the door using the handle, up and over the lower edge, see Diagram 4.



- 2.7 To replace the glass frame, position so the hooks on the back of the frame fit over the side pins, see Diagram 5.



- 2.8 Push the handle down.

- 2.9 Replace the screws. As the screws are tightened the glass frame is pulled down against the hooks and forms a seal. **Replace ALL of the securing screws ensuring that a screw is present in all fixing slots.**



**UNDER NO CIRCUMSTANCES SHOULD THE APPLIANCE BE USED IF ANY OF THE GLASS FRAME RETAINING SCREWS ARE LOOSE OR MISSING.**

# Servicing Instructions - Replacing Parts

2.10 Replace the slotted trim onto the brackets to cover the gap at the bottom of the window. The louvres point forwards.

2.11 Replace the 2 magnetic side trims.

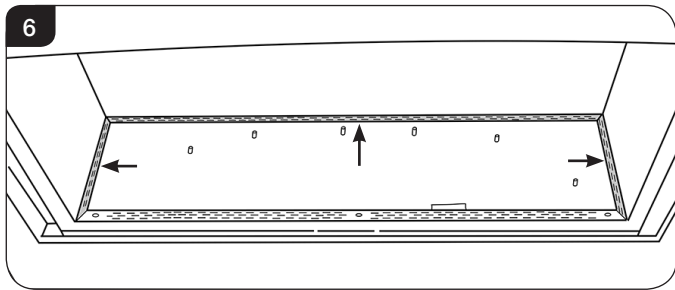
**NEVER OPERATE THE APPLIANCE WHEN THE GLASS PANEL IS REMOVED OR BROKEN.**

2.12 Replace the decorative front by referring to the separate instructions supplied with the front.

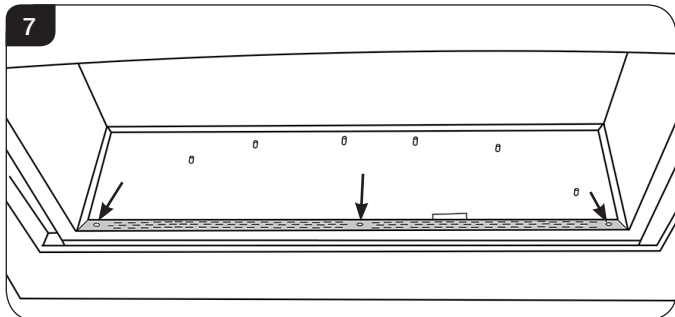
## 3. Liners

3.1 To remove the liners it will be necessary to remove the logs.

3.2 Remove the side and the back trims, see Diagram 6.



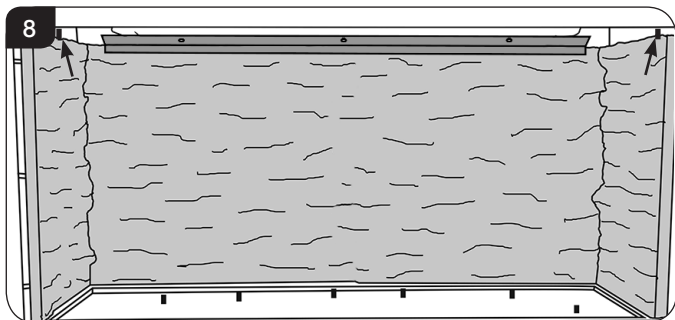
3.3 Remove the 3 screws securing the front trim, see Diagram 7 and remove.



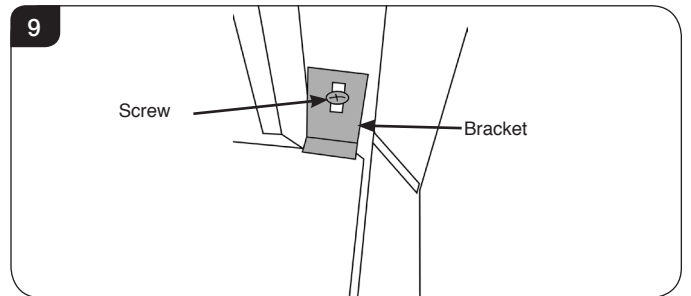
**THE LINING EFFECTS ARE VERY FRAGILE - TAKE CARE WHEN REMOVING AND REPLACING.**

### 3a. Ledgestone Effect Liners

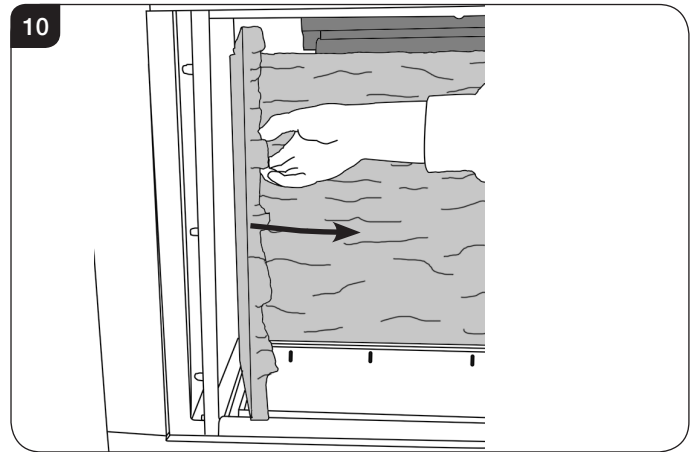
3a.1 The Ledgestone effect side liners are held in place by 2 brackets, see Diagram 8.



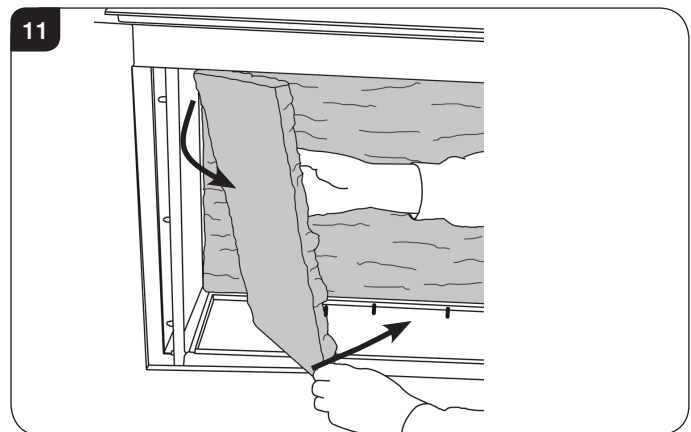
3a.2 Remove the screw at the top of the side liner brackets and place carefully to one side, see Diagram 9.



3a.3 Carefully hold the side liner and pull the nearest edge out at an angle of approximately 30° to free the brick effect from the back liner, see Diagram 10.



3a.4 Use a lifting motion to pull free of the rear liner whilst simultaneously angling the bottom of the panel upwards to gently withdraw it through the front of the appliance, see Diagram 11.  
**Take care not to damage the liner.**

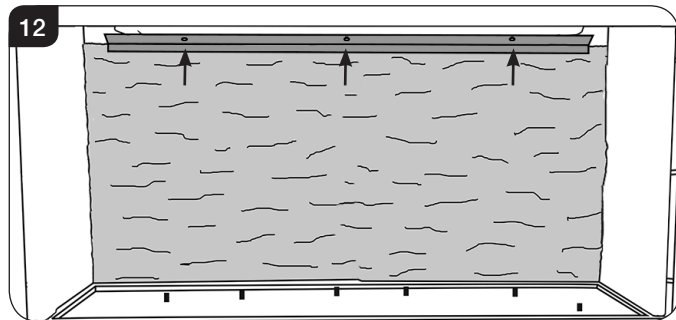


3a.5 Place the liner carefully to one side. Repeat for the other side.

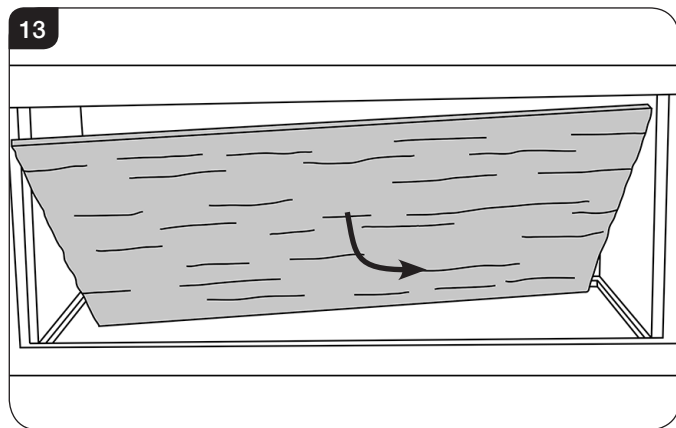
3a.6 The Ledgestone effect back liner is held in place by a bracket.

# Servicing Instructions - Replacing Parts


3a.7 Remove the 3 screws securing the back liner bracket and place carefully to one side, see Diagram 12.



3a.8 Carefully remove the back liner by tilting the top forward and lifting slightly to clear the burner tray. Twist slightly to allow it to be removed through the front of the appliance, see Diagram 13.  
**Take care not to damage the liner.**



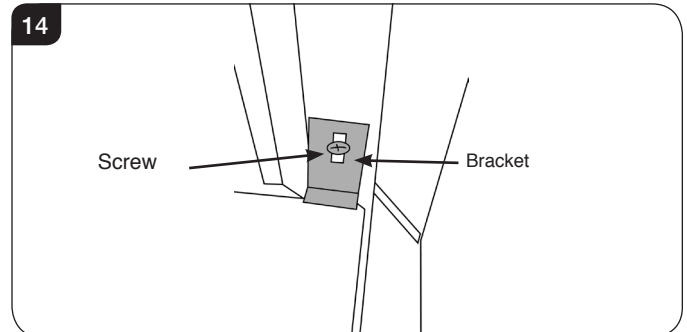
3a.9 Replace the liners in reverse order using the same technique to ensure no damage occurs.  
**Note the Left and Right hand side panels are individually marked to distinguish which side they fit.**

 **The lower edge of the Ledgestone effect liners is thinner than the top. When fitting ensure that the thinner edge is positioned at the bottom of the firebox.**

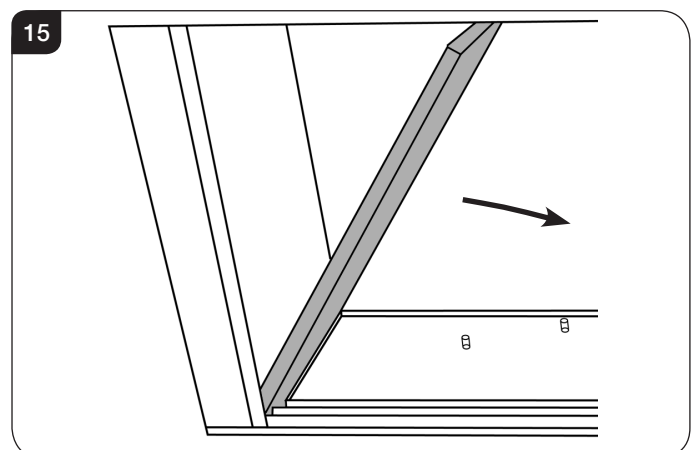
**Ensure the brackets are replaced following fitment of the liners.**

## 3b. Black Reeded Liners

3b.1 Release the screw at the top of the side liner and rotate the brackets, see Diagram 14.



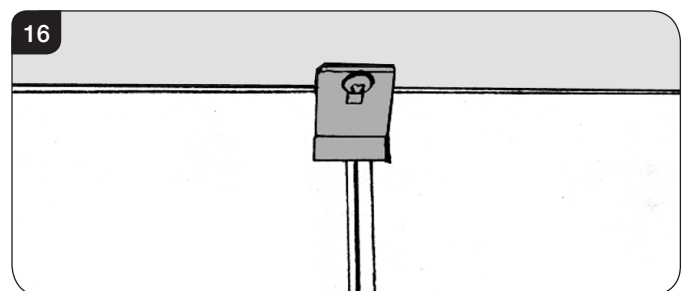
3b.2 Lean the top of the liner inwards and remove.



3b.3 Repeat with the other side.

**NOTE: the rear liners are in 2 pieces.**

3b.4 To remove the rear liners undo the screw and remove the bracket securing the liners in place, see Diagram 16.



3b.5 Lean the top of the liners forward and lift out through the front of the appliance.

3b.6 Replace in the liners in reverse order.

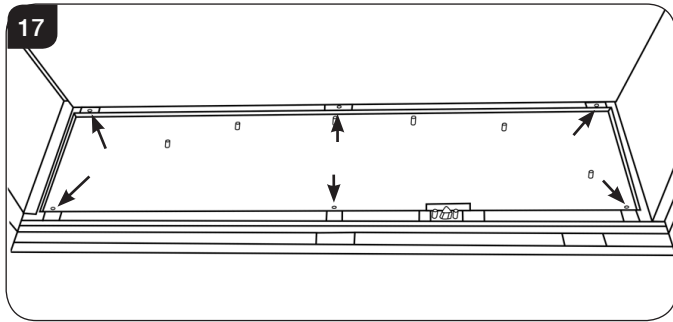
# Servicing Instructions - Replacing Parts

## 4. Main Burner

4.1 To remove the main burner it will be necessary to remove the following:

- Logs
- Black embers
- Embaglow (Take care when removing)
- Vermiculite
- Slotted trims around burner - see Section 3
- Liners - see Section 3

4.2 Remove the 6 burner fixing screws, see Diagram 17.



4.3 Slide the burner fully to the left and lift the right hand side to clear the pilot.

Lift the burner vertically taking care not to hit the pilot electrode.

Refit in reverse order.

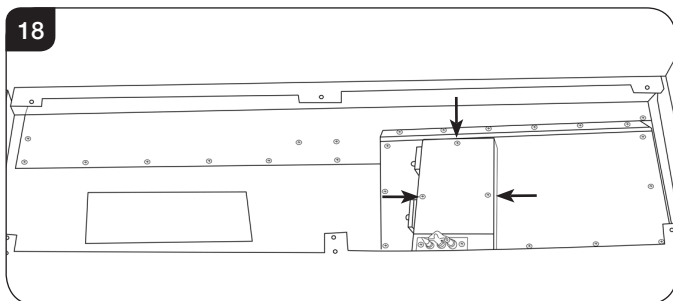
## 5. Main Control Assembly

5.1 To access the main control assembly, first remove:

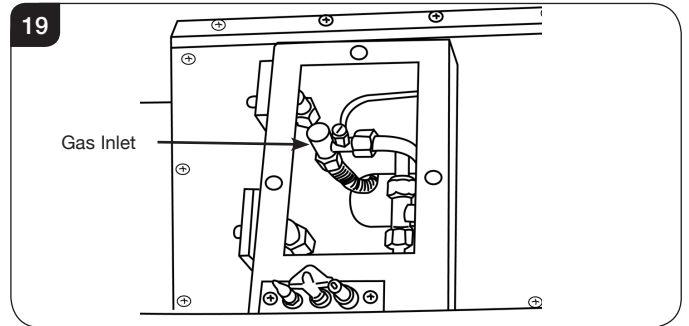
- Window frame, see Section 2
- Side liners, see Section 3
- Main burner, see Section 4

To remove the access panel:

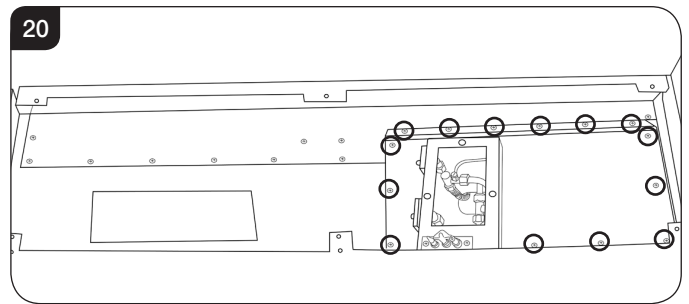
5.2 Undo the 3 screws, see Diagram 18.



5.3 Isolate the gas supply at the isolation device and disconnect the gas inlet, see Diagram 19.



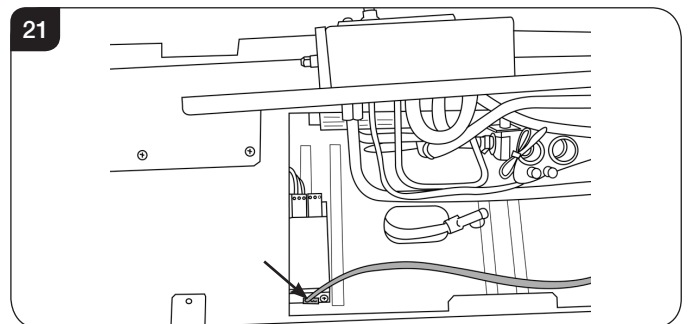
5.4 Remove the 14 screws from the right hand side securing the control assembly, see Diagram 20.



5.5 The control assembly can now be tilted back to reveal the controls.

**Note: The Module is still attached at this stage, do not tilt the control assembly back too far to avoid damaging the lead.**

5.6 Disconnect the lead from the Module, see Diagram 21.



The control assembly can now be removed.

5.7 Replace in reverse order.

**When replacing the control assembly screws, locate all the screws before tightening.**

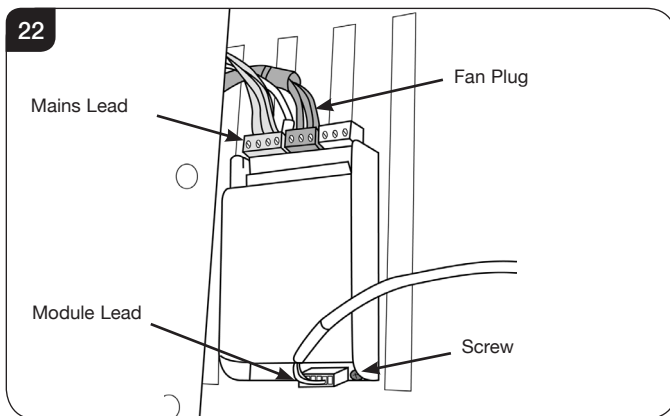
**ENSURE NO WIRES ARE TRAPPED BETWEEN THE CONTROL PANEL AND THE FIREBOX.**



# Servicing Instructions - Replacing Parts

## 6. Module

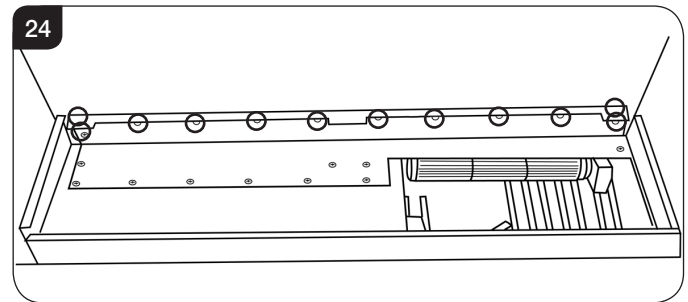
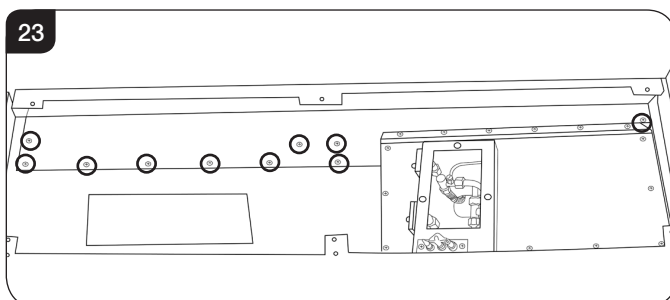
- 6.1 To access the Module, first remove:
- Window frame, see Section 2
  - Side Liners, see Section 3
  - Main burner, see Section 4
- 6.2 Remove the main Control Assembly, see Section 5.
- 6.3 Disconnect the fan plug and mains lead from the Module, see Diagram 22.



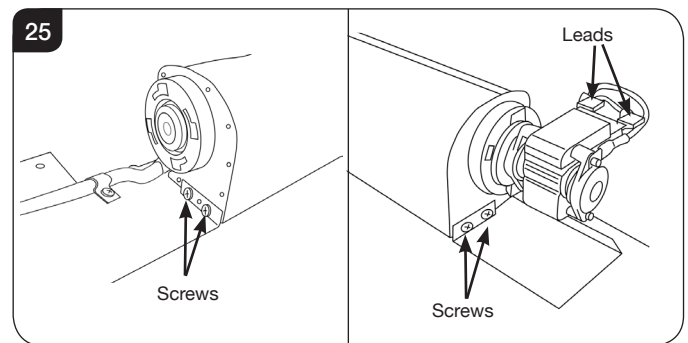
- 6.4 Disconnect the Module lead, see Diagram 22.
- 6.5 Remove the screw securing the Module to the base of the appliance, see Diagram 22.
- 6.6 The Module can now be removed.
- 6.7 Replace in reverse order.

## 7. Fan Assembly

- 7.1 To access the fan assembly, first remove:
- Window frame, see Section 2
  - Side liners, see Section 3
  - Main burner, see Section 4
- 7.2 Remove the main control assembly, see Section 5. Place carefully to one side.
- 7.3 Remove the liners, see Section 3.
- 7.4 Remove the front 10 screws, see Diagram 23 and the 12 rear screws, see Diagram 24 securing the fan assembly to the casing,

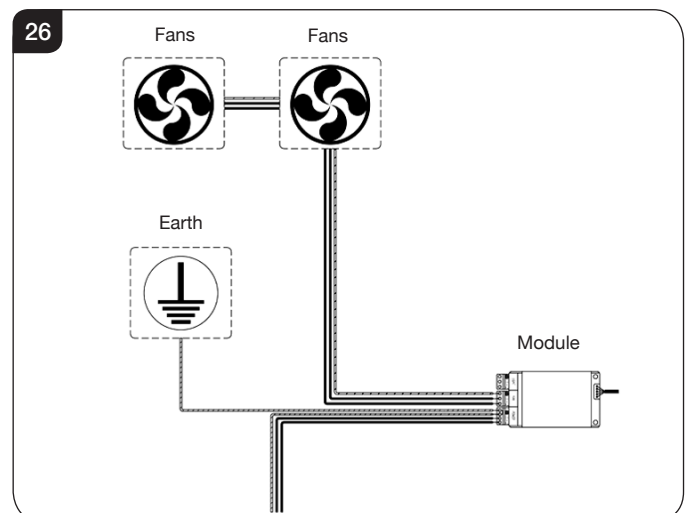


- 7.5 Disconnect the fan plug and mains lead from the Module, see Diagram 22.
- 7.6 Rotate the top of the fan assembly forward 90° and bring the left hand side forward to clear the support bracket.
- The fan assembly can now be manoeuvred forward and removed.
- 7.7 The fans can be individually replaced by removing the 2 screws from either side of the each fan and removing the 2 leads, see Diagram 25.



- 7.8 When replacing the Fan Assembly tilt the assembly forward, lower the right hand side and roll towards the back of the firebox.
- 7.9 Locate all the screws before tightening. Tighten the rear screws first.

### FAN ASSEMBLY FAULT FINDING

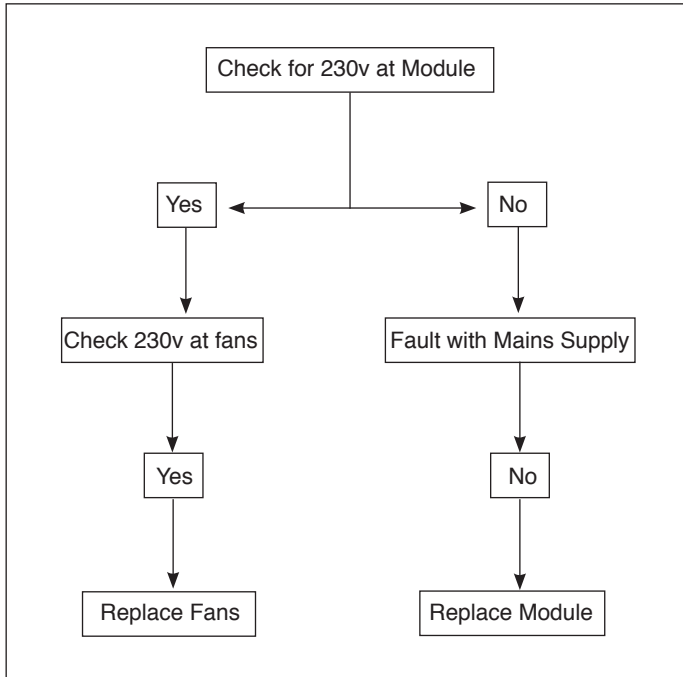



# Servicing Instructions - Replacing Parts

7.10 If the fans do not work check the following:

1. Check the fuse in the plug.
2. Check for loose connections.

7.11 If the fans still do not work test the circuit:

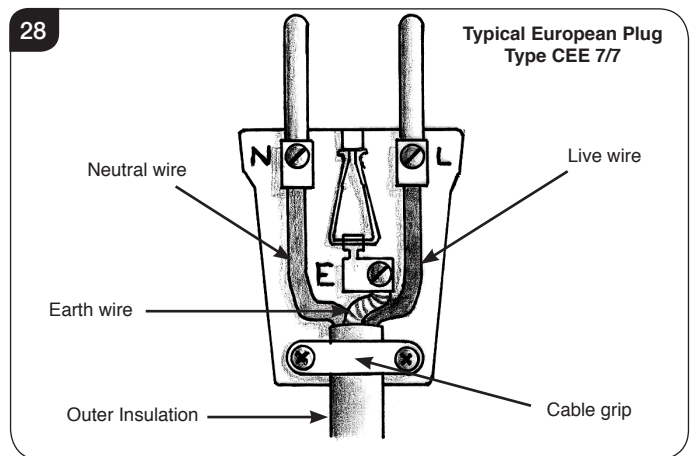


|              |                        |  |
|--------------|------------------------|--|
| Live Wire    | Brown                  | Terminal L / RED   |
| Neutral Wire | Blue                   | Terminal N / BLACK   |
| Earth Wire   | Green & Yellow Stripes | Terminal E /  / GREEN or GREEN & YELLOW |

**THIS APPLIANCE MUST BE EARTHED**

## European Plug

Suitable for use in Austria, Belgium, Bulgaria, Czech Republic, Denmark, Estonia, Finland, France, Greece, Hungary, Germany, Italy, Latvia, Lithuania, Luxembourg, Netherlands, Poland, Portugal, Romania, Slovakia, Slovenia, Spain & Sweden.



- 8.1 Dispose of the old plug safely. Ensure the new plug has the relevant approval marking and is not cracked or chipped.
- 8.2 Expose 4cm of the coloured wires and trim to the correct lengths so that they comfortably reach the correct terminals.
- 8.3 Ensure that the Earth wire has more slack than any of the other wires.
- 8.4 Remove some of the insulation to leave about 6mm (screw terminals) to 12mm (winding around screw) of exposed metal core on each wire, taking care not to damage or remove the metal strands.
- 8.5 Twist the strands of the wire together.
- 8.6 Loosen the screw heads above each terminal.
- 8.7 Push the metal wire into the hole beneath each screw head or, dependent on plug design, wind the metal wire around the screw.
- 8.8 Ensure that the insulation reaches right up to each terminal as illustrated and there are no loose strands of wire.
- 8.9 Ensure the cable sits correctly under the cable grip and tighten to secure, taking care that the connecting wires inside the plug are not strained.
- 8.10 Refer to *Technical Specification* for fuse rating and fit the appropriate fuse into the plug (UK Only).
- 8.11 Attach the plug cover.

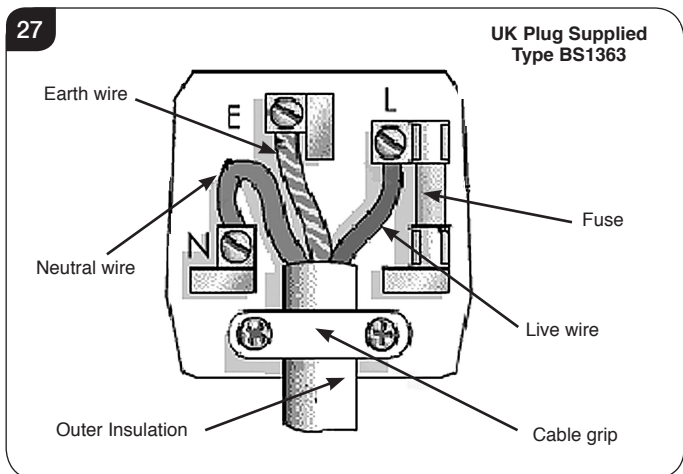
## 8. How to wire a plug

To change the plug supplied with this fire, follow the instructions below. The instructions assume that the wire has been cut.

**i** **WARNING – FAILURE TO CONNECT THE WIRES CORRECTLY COULD PUT PEOPLE AT RISK FROM ELECTRIC SHOCK OR FIRE. IF IN DOUBT CONSULT A QUALIFIED ELECTRICIAN.**

### UK Plug

Suitable for use in Cyprus, Malta, Ireland & Great Britain



# Servicing Instructions - Replacing Parts

## 9. Pilot Unit

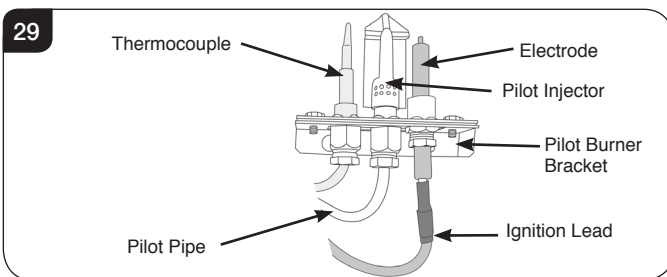


**IMPORTANT: UNDER THE TERMS OF THE EXTENDED WARRANTY IT WILL BE COMPULSORY TO CHANGE THE COMPLETE PILOT UNIT ON THIS APPLIANCE IN YEARS 2 AND 4.**

**Due to restricted access it is advisable to use a split ring spanner when servicing the Pilot Unit.**

The pilot assembly consists of four components which can be individually changed:

- 9a) Pilot burner bracket
- 9b) Pilot injector
- 9c) Electrode
- 9d) Thermocouple



- 9.1 Turn off the gas supply at the isolating device.
- 9.2 Remove the main burner and the main control assembly, see Sections 4 and 5.

### 9a. Pilot Burner Bracket

To remove the pilot burner bracket:

- 9.3 Disconnect the Ignition lead, see Diagram 29.
- 9.4 Remove the electrode, see 9c.
- 9.5 Loosen thermocouple nut.
- 9.6 Undo the brass nut connecting the pilot pipe to the pilot unit and remove the pilot pipe.

**IMPORTANT Ensure not to lose the loose injector component.**

- 9.7 Remove the 2 screws from the top of the bracket.
- 9.8 The pilot unit can now be removed and the pilot components can be individually removed and replaced.

**IF THE GASKET IS DAMAGED IT MUST BE REPLACED.**

- 9.9 Replace in reverse order.

### 9b. Pilot Injector

- 9.10 Remove pilot burner bracket (see section 9a).
- 9.11 To remove the pilot injector, undo the compression nut to remove the pilot inlet pipe and withdraw the injector.
- 9.12 Replace in reverse order.

### 9c. Electrode

- 9.13 Disconnect the ignition lead and undo the retaining nut, see Diagram 29. Withdraw the electrode from the pilot burner.
- 9.14 Replace with a new electrode.  
Do not over-tighten the nut; this could break the component.
- 9.15 Replace in reverse order.

### 9d. Thermocouple

- 9.16 To remove the thermocouple the control assembly will have to be removed, see Section 5.
- 9.17 Disconnect the thermocouple from the gas valve/interrupter.
- 9.18 Undo the thermocouple nut in the back of the pilot bracket half a turn. This releases the thermocouple.
- 9.19 When replacing with a new thermocouple, take care to bend the new component to the same shape as the thermocouple just removed.
- 9.20 To refit the thermocouple into the pilot bracket, ensure it is pushed fully into the hole. There is a stop on the thermocouple to set the height.
- 9.21 Lock the retaining nut just enough to grip the thermocouple and connect the thermocouple to the valve/interrupter and **take care not to over-tighten.**

## 10. Ignition Lead

- 10.1 To replace the ignition lead remove the main control assembly, see Section 5.
- 10.2 Remove the control box from the bracket, see Section 5.
- 10.3 Remove the Ignition lead from the control box.
- 10.4 Carefully remove the Ignition lead from the electrode.

**Note the orientation of the lead. The new lead must follow exactly the same route.**

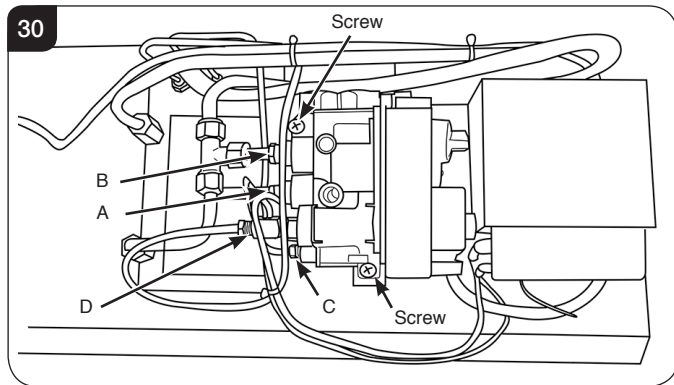
**NOTE: THE IGNITION LEAD MUST NOT PASS OVER THE CONTROL BOX AS THIS CAN DAMAGE THE SENSITIVE ELECTRONICS.**

**When replacing the lead re-use the black vidaflex. Ensure it is pushed up to the rear of the electrode.**

# Servicing Instructions - Replacing Parts

## 11. Gas Valve

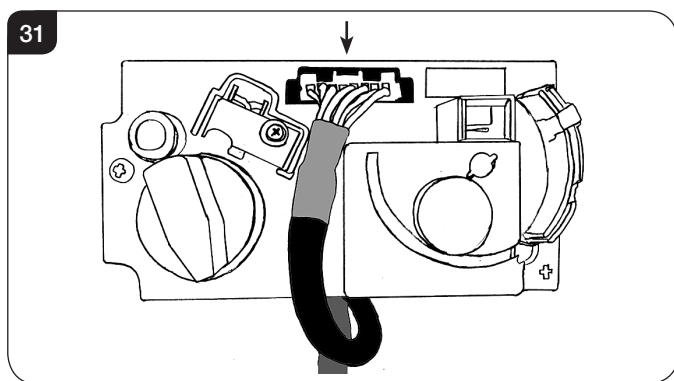
- 11.1 Remove the main burner and the main control assembly, see Sections 4 and 5.
- 11.2 Disconnect the inlet pipe, see Diagram 30 (A) and feed pipe from the gas valve only, see Diagram 30 (B).



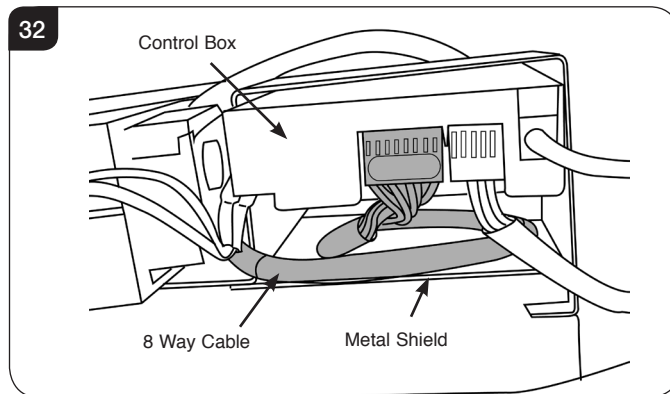
- 11.3 Disconnect the pilot pipe from the gas valve only, see Diagram 30 (C).
- 11.4 Disconnect the thermocouple, interrupter leads and interrupter block, see Diagram 30 (D).

When replacing the interrupter leads ensure that the lead with the coloured marking locates furthest away from the valve.

- 11.5 Undo the 2 screws to release the valve off the bracket, see Diagram 30.
- 11.6 Gently remove the valve.
- 11.7 Remove the 8 way cable by inserting a small flat screwdriver in the top of the white plug, Diagram 31.



When replacing the 8 way cable ensure that the excess cable is placed between the Control Box and the metal shield, see Diagram 32. Do not allow the cable to touch the underside of the Main Control Assembly.



- 11.8 Replace in reverse order.
- 11.9 Refit the main control assembly and main burner.
- 11.10 Check all joints for leaks, check the operation of the thermocouple and ignition lead.

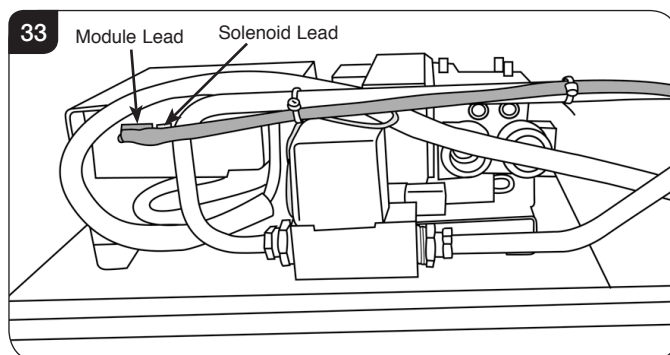
## 12. Magnetic Safety Valve

Remove the main control assembly, see Section 5.

- 12.1 To replace the magnetic safety valve:
  - Undo the thermocouple from the interrupter block and remove the 2 interrupter leads. Then unscrew the interrupter block from the back of the valve.
- 12.2 Undo the silver magnetic valve retaining nut on the back of the valve and gently tap out the mag valve.
- 12.3 Replace with a new unit and reassemble in reverse order.

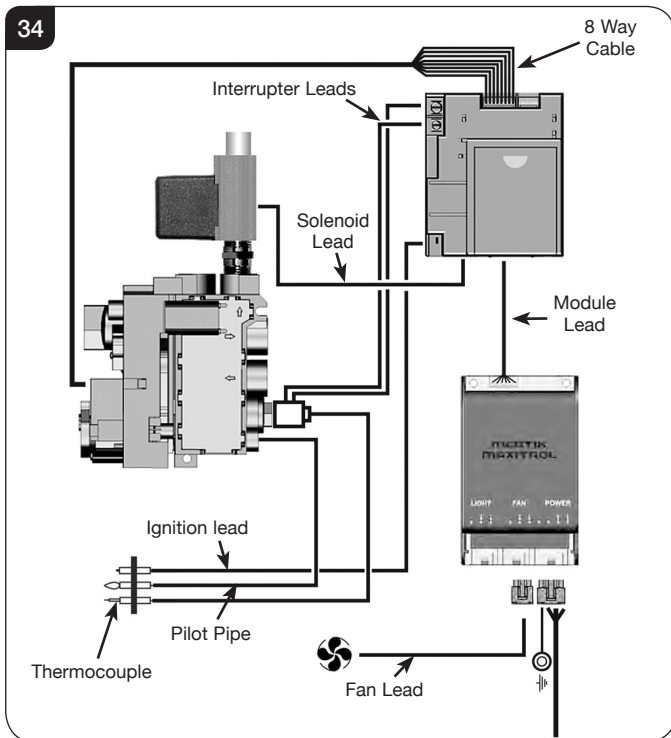
## 13. Control Box

- 13.1 To replace the control box first remove the main control assembly, see Section 5.
- 13.2 Release the cables from the clip on the underside of the assembly.
- 13.3 Disconnect the Module and Solenoid leads from the control box, see Diagram 33.



# Servicing Instructions - Replacing Parts

- 13.4 Pull the control box forward and remove the ignition lead. The control box is held on by velcro pads.
- 13.5 Remove the 2 screws to remove the 2 interrupter leads.
- 13.6 Remove the 8 way cable from the control box.



- 13.7 Replace in reverse order.

**Note: When replacing the control box it will be necessary to unclip the first 3 clips on the control box and extend the aerial down towards the base of the firebox.**

After replacing the control box ensure that all cable connections are refitted, see Diagram 34.

- 13.8 After replacing the control box you may need to reprogram the handset.
  - Press and hold the reset button on the control box until you hear two signals. After the second longer signal:
  - Release the reset button and within 20 seconds:
  - Press the DOWN button on the handset until you hear two additional short signals confirming the new code is set.  
If there is a single long signal the code learning sequence has failed or the wiring is incorrect.

## 14. Main Injectors

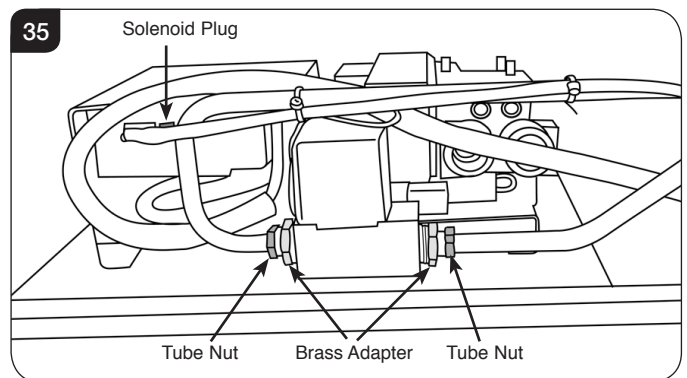
This appliance has 2 Injectors.

**NOTE: The two injectors are not identical.**

- 14.1 Remove the main control assembly, see Section 5.
- 14.2 To change the main injectors undo the injector feed pipe and remove the lock nut from the injector.
- 14.3 Replace with the correct size injector.

## 15. Latching Solenoid

- 15.1 Remove the main control assembly, see Section 5.
- 15.2 Hold the brass adapter (large nut) with a 17mm spanner and release the tube nut (small nut) from the adapter, see Diagram 35.



- 15.3 Repeat on both sides of the Solenoid.
- 15.4 Remove the Solenoid plug from the control box, see Diagram 35.
- 15.5 Cut the cable tie. **NOTE the orientation of the cables.**
- 15.6 Replace in reverse order.

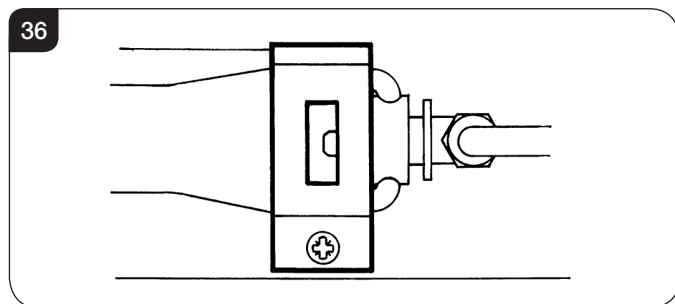
**Ensure that the cable ties are replaced.**

# Servicing Instructions - Replacing Parts

## 16. Primary Aeration Plate

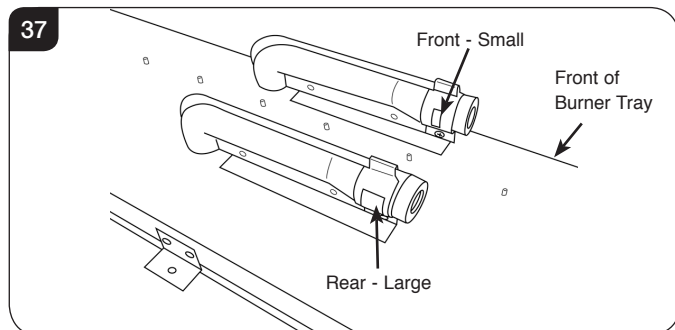
NOT ALL MODELS HAVE AERATION PLATES. REFER TO TECHNICAL SPECIFICATIONS, PAGES 13.

- 16.1 To replace the aeration plate remove the main control assembly, see Section 5.
- 16.2 Remove the fixing screw and slide the plate off the venturi.
- 16.3 Replace with the correct size plate and secure with the screw. Ensure the lower edge of the plate is located over the venturi flange, see Diagram 36.



This appliance has 2 venturi. Ensure the correct aeration plates are fitted.

Aeration plates can vary between front and rear hand venturi, see Diagram 37.



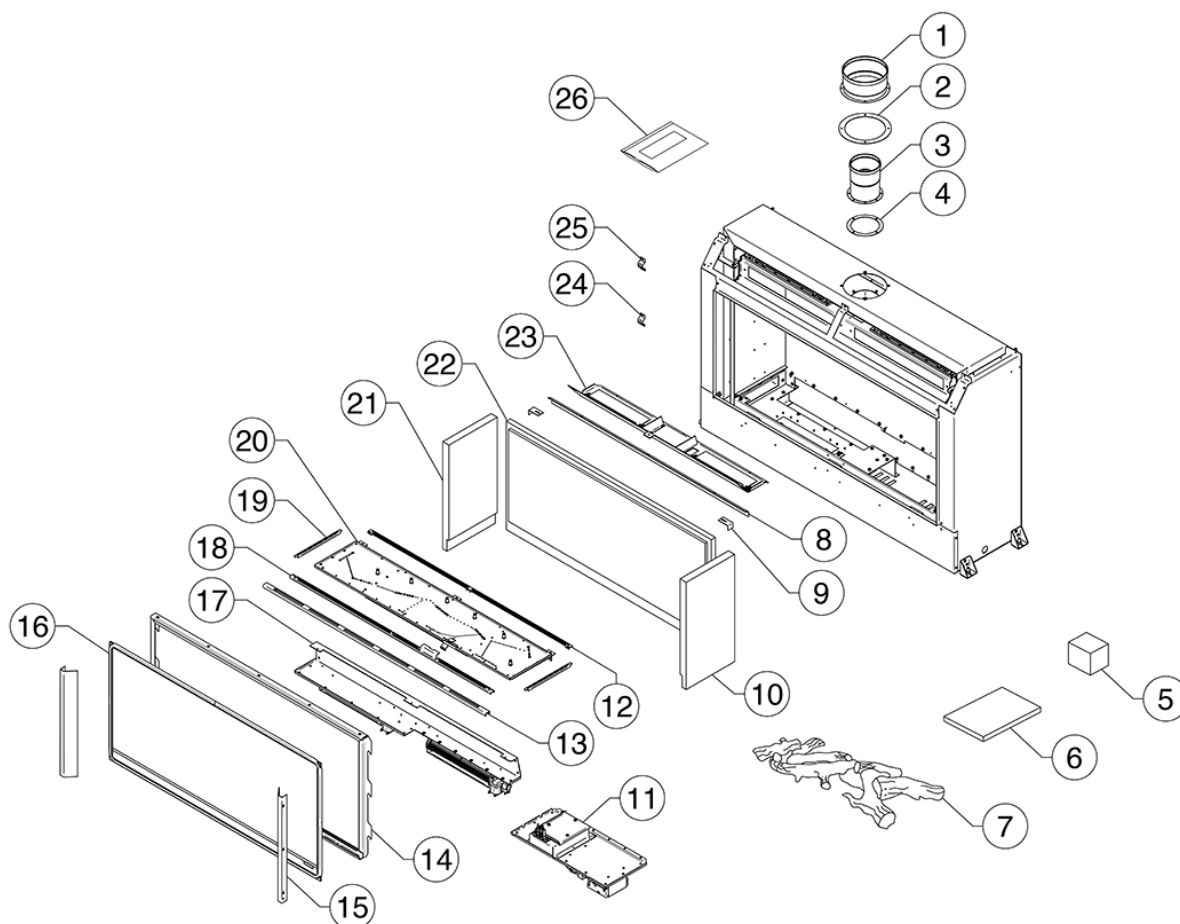
## 17. Changing Between Gas Types

A kit of parts is available for this - Contact your Gazco retailer for further information.

Always quote the Model number and Serial number when ordering any spare parts.

# Servicing Instructions - Replacing Parts

## 18. Short Spares List - Eclipse 100



| No. | Component                     | Part Code   |          | Quantity |
|-----|-------------------------------|-------------|----------|----------|
|     |                               | Natural Gas | LPG      |          |
| 1   | Outer Spigot                  | MEC0232     |          | 1        |
| 2   | Outer Flue Gasket             | CE0211      |          | 1        |
| 3   | Inner Spigot                  | MEC0231     |          | 1        |
| 4   | Inner Flue Gasket             | CE0210      |          | 1        |
| 5   | Vermiculite                   | CE0746      |          | 2        |
| 6   | Installation/Fixing Kit       | GZ11361     |          | 1        |
| 7   | Log Set                       | CE1385      |          | 1        |
| 8   | Rear Lining Restraint Bracket | GZ11380     |          | 1        |
| 9   | Lining Restraint              | GZ11737     |          | 1        |
| 10  | Side Lining Ledgestone - RH   | CE1412      |          | 1        |
|     | Side Lining Black Reeded      | CE1288      |          | 2        |
| 11  | Engine Assembly               | GZ10882N    | GZ10882P | 1        |
| 12  | Infill Strip - Rear           | GZ11278     |          | 1        |
| 13  | Base Infill Angle Assembly    | GZ10889     |          | 1        |
| 14  | Door Assembly                 | GZ10832     |          | 1        |

| No. | Component                | Part Code   |         | Quantity |
|-----|--------------------------|-------------|---------|----------|
|     |                          | Natural Gas | LPG     |          |
| 15  | Side Frame Cover         | GZ10874     |         | 1        |
| 16  | Glass & Ropesal Assembly | GZ12321     |         | 1        |
| 17  | Fan Panel Assembly       | GZ11422     |         | 1        |
| 18  | Infill Strip - Front     | GZ11745     |         | 1        |
| 19  | Infill Strip - Side      | GZ11425     |         | 2        |
| 20  | Burner Assembly          | GZ10861     | GZ10945 | 1        |
| 21  | Side Lining Ledgestone   | CE1409      |         | 1        |
|     | Rear Lining Ledgestone   | CE1410      |         | 1        |
|     | Rear Lining Black Reeded | CE1289      |         | 2        |
| 22  | Top Baffle               | GZ10856     |         | 1        |
| 23  | Aeration Plate (Outer)   | GZ3966      | GZ3868  | 1        |
| 24  | Aeration Plate (Central) | GZ3865      | GZ3867  | 1        |
| 25  | Embaglow                 | GZ8471      |         | 1        |

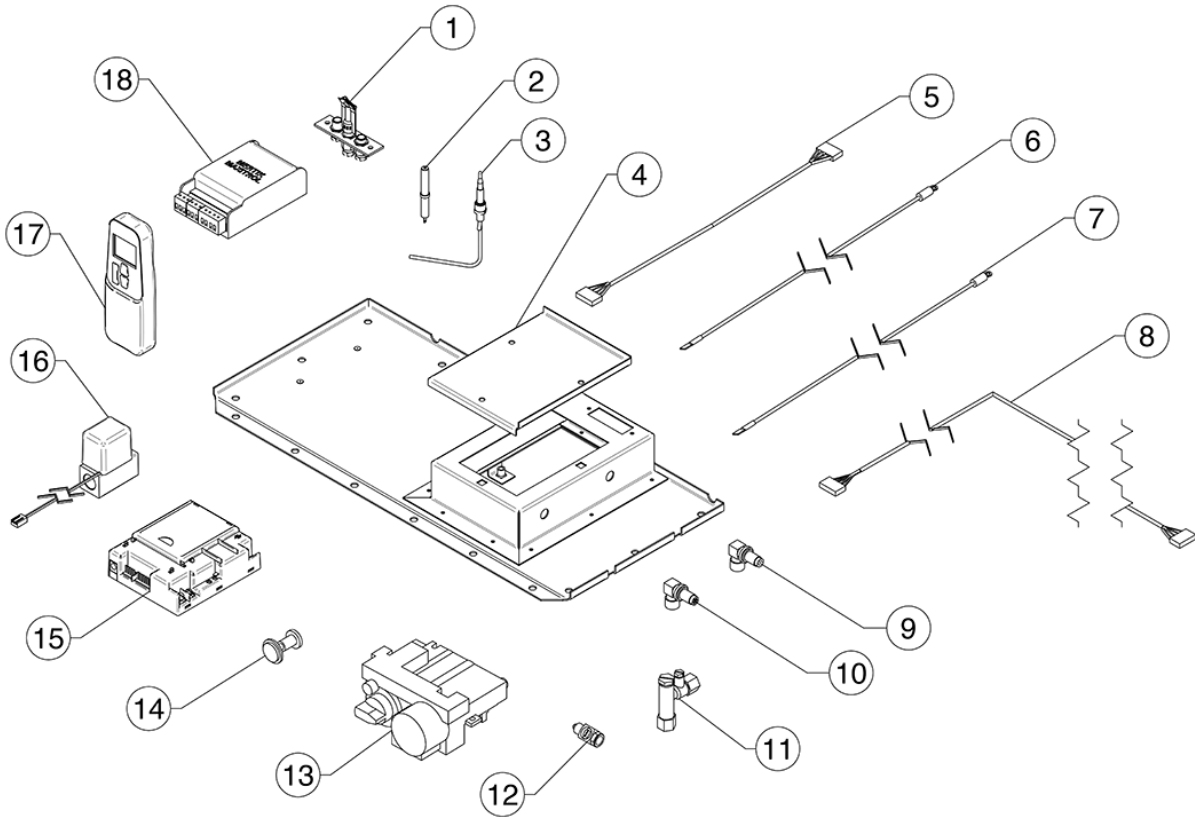


Due to continual technical improvements please check online or with your Gazco retailer for the most up to date parts lists.

Only use Genuine Gazco spares when servicing your appliance.  
All of our essential spare parts and consumable items are available to purchase from our webshop at [www.gazcospares.com](http://www.gazcospares.com).

# Servicing Instructions - Replacing Parts

## 18. Short Spares List - Control Assembly



| No. | Component                  | Part Code   |        | Quantity |
|-----|----------------------------|-------------|--------|----------|
|     |                            | Natural Gas | LPG    |          |
| 1   | Pilot Burner               | PI0069      | PI0070 | 1        |
| 2   | Electrode                  | PI0075      |        | 1        |
| 3   | Thermocouple               | PI0074      |        | 1        |
| 4   | Side Access Hatch Assembly | GZ10899     |        | 1        |
| 5   | Module Receiver Cable      | EL0566      |        | 1        |
| 6   | Thermocurrent Cable        | EL0590      |        | 1        |
| 7   | Thermocurrent Cable        | GC0136      |        | 1        |
| 8   | Connection Cable           | GC0133      |        | 1        |
| 9   | Elbow Injector             | IN0002      | IN0054 | 1        |
| 10  | Elbow Injector             | IN0007      | IN0040 | 1        |
| 11  | Restrictor Elbow           | GC0095      |        | 1        |
| 12  | Interrupter                | GC0124      |        | 1        |
| 13  | Control Valve              | GC0123K     |        | 1        |
| 14  | Mag Unit                   | GC0166      |        | 1        |
| 15  | Receiver                   | EL0564      |        | 1        |
| 16  | Latching Solenoid Valve    | EL0563      |        | 1        |
| 17  | Handset                    | EL0562      |        | 1        |
| 18  | Module                     | EL0565      |        | 1        |



Due to continual technical improvements please check online or with your Gazco retailer for the most up to date parts lists.

Only use Genuine Gazco spares when servicing your appliance.  
All of our essential spare parts and consumable items are available to purchase from our webshop at [www.gazcospares.com](http://www.gazcospares.com).



# Service Records

## 1ST SERVICE

Date of Service:.....  
Next Service Due:.....  
Signed:.....  
Retailer's Stamp/GasSafe Registration Number

## 3RD SERVICE

Date of Service:.....  
Next Service Due:.....  
Signed:.....  
Retailer's Stamp/GasSafe Registration Number

## 5TH SERVICE

Date of Service:.....  
Next Service Due:.....  
Signed:.....  
Retailer's Stamp/GasSafe Registration Number

## 7TH SERVICE

Date of Service:.....  
Next Service Due:.....  
Signed:.....  
Retailer's Stamp/GasSafe Registration Number

## 9TH SERVICE

Date of Service:.....  
Next Service Due:.....  
Signed:.....  
Retailer's Stamp/GasSafe Registration Number

## 2ND SERVICE

Date of Service:.....  
Next Service Due:.....  
Signed:.....  
Retailer's Stamp/GasSafe Registration Number

## 4TH SERVICE

Date of Service:.....  
Next Service Due:.....  
Signed:.....  
Retailer's Stamp/GasSafe Registration Number

## 6TH SERVICE

Date of Service:.....  
Next Service Due:.....  
Signed:.....  
Retailer's Stamp/GasSafe Registration Number

## 8TH SERVICE

Date of Service:.....  
Next Service Due:.....  
Signed:.....  
Retailer's Stamp/GasSafe Registration Number

## 10TH SERVICE

Date of Service:.....  
Next Service Due:.....  
Signed:.....  
Retailer's Stamp/GasSafe Registration Number

# Information Requirement - Gas Heaters

## Information Requirement for Gaseous Fuel Local Space Heater

| Model   | Eclipse 100<br>Nat Gas  | Eclipse 100<br>LPG |              |
|---|---|--------------------|--------------|
| <b>Fuel</b>   | Space Heating Emissions (NOx) - mg / kWh <sub>input</sub> (GCV)         | 130                | 130          |
| <b>Heat Output</b>  | Nominal Heat Output - $P_{nom}$   | 8.4kW              | 8.4kW        |
|   | Minimum Heat Output (indicative) - $P_{min}$                            | 3.1kW              | 3.2kW        |
| <b>Auxiliary Electricity Consumption</b>                    | At Nominal Heat Output - $e_{lmax}$                                     | 0.003kW            | 0.003kW      |
|   | At Minimum Heat Output - $e_{lmin}$                                     | 0.003kW            | 0.003kW      |
|   | In Standby Mode - $e_{l_{sb}}$  | 0.003kW            | 0.003kW      |
| <b>Useful Efficiency (NCV)</b>                              | Useful Efficiency at nominal heat output - $\eta_{th,nom}$              | 85.0%              | 85.0%        |
|   | Useful Efficiency at minimum heat output (indicative) - $\eta_{th,min}$ | 75.0%              | 75.0%        |
| <b>Permanent Pilot Flame Power requirement</b>              | Permanent Pilot Flame Power requirement (if applicable) - $P_{pilot}$   | N/A                | N/A          |
| <b>Type of heat output/room temperature control</b>         |   |                    |              |
|   | Electronic room temperature control + day timer                         | Yes                | Yes          |
| <b>Other control options (multiple selections possible)</b> |   |                    |              |
|   | Room temperature control, with presence detection                       | No                 | No           |
|   | Room temperature control, with open window detection                    | No                 | No           |
|   | With distance control option  | No                 | No           |
|   | With adaptive start control   | No                 | No           |
|   | With working time limitation  | No                 | No           |
|   | With black bulb sensor  | No                 | No           |
| <b>Energy Efficiency Index</b>                              |   | <b>80.8%</b>       | <b>80.8%</b> |
| <b>Energy Efficiency Class</b>                              |   | <b>C</b>           | <b>C</b>     |
| <b>Contact:</b>   | Gazco Ltd, Osprey Road, Sowton Industrial Estate, Exeter, EX2 7JG       |                    |              |



**Gazco Limited, Osprey Road, Sowton Industrial Estate, Exeter, Devon, England EX2 7JG**  
**Technical Customer Services: (01392) 261950 Fax: (01392) 261951**  
**E-mail: [technicalservices@gazco.com](mailto:technicalservices@gazco.com)**

A member of the Stovax Group

E & O E